

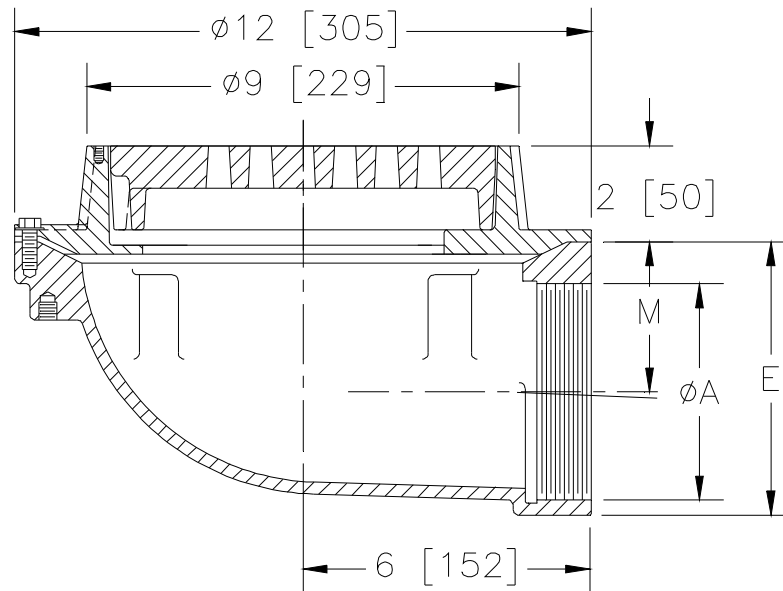


**Z508-90**  
9 [229] HEAVY-DUTY DRAIN

SPECIFICATION SHEET

TAG \_\_\_\_\_

Dimensional Data (inches and [ mm ]) are Subject to Manufacturing Tolerances and Change Without Notice



A- Pipe Size In. [mm]	M	Approx. Wt. Lbs.[kg]	Grate Open Area Sq. In. [Sq. cm]
2 [51]	4-1/8 [105]	21 [10]	18 [116]
3 [76]	3-5/8 [92]	21 [10]	18 [116]
4 [102]	3-1/8 [79]	21 [10]	18 [116]

**ENGINEERING SPECIFICATION: ZURN Z508-90**  
9" [229mm] Diameter top drain, Dura-Coated cast iron body with side outlet, seepage pan and combination membrane flashing clamp and frame for heavy-duty cast iron deep flange slotted grate.

**OPTIONS** (Check/specify appropriate options)

PIPE SIZE

2, 3, 4 [51, 76, 102]

(Specify size/type) OUTLET

\_\_\_ IP Threaded

'E' BODY HT. DIM.

5-3/4 [146]

**PREFIXES**

- \_\_\_ Z D.C.C.I. Body and Top\*
- \_\_\_ ZB D.C.C.I. Body with Polished Bronze Top (Add 3/16 [5] to 2 [50] Dim.)
- \_\_\_ ZN D.C.C.I. Body with Polished Nickel Bronze Top (Add 3/16 [5] to 2 [50] Dim.)

**SUFFIXES**

- \_\_\_ -AR Acid Resisting Epoxy Coated Cast Iron
- \_\_\_ -DG Duresist Grate
- \_\_\_ -F Extension Frame
- \_\_\_ -G Galvanized Cast Iron
- \_\_\_ -P Trap Primer Connection
- \_\_\_ -S Secondary Strainer
- \_\_\_ -SC Solid Cover with Lift Handle
- \_\_\_ -SG Solid Gasketed Cover with Lift Handle
- \_\_\_ -TS Top Secured with Slotted Screws
- \_\_\_ -VP Vandal-Proof Secured Top
- \_\_\_ -Y Sediment Bucket

\* Regularly furnished unless otherwise specified.