



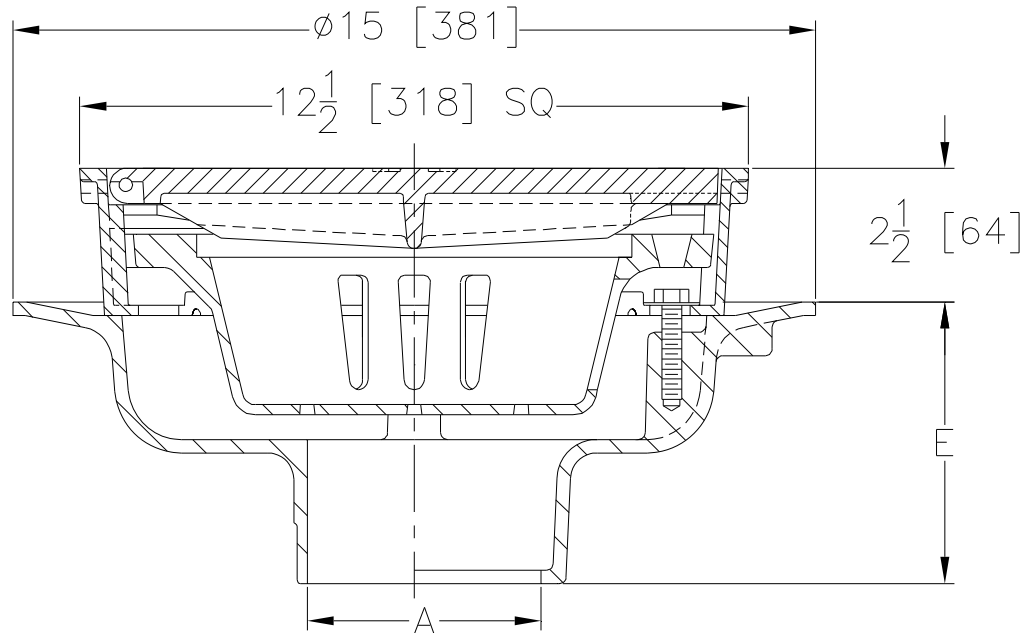
Z610-HC

12-1/2 [318] HEAVY-DUTY DRAIN W/ HINGED SOLID COVER

SPECIFICATION SHEET

TAG _____

Dimensional Data (inches and [mm]) are Subject to Manufacturing Tolerances and Change Without Notice



A - Pipe Size in. [mm]	Approx. Wt. Lbs. [kg]
2, 3, 4, 6 [51, 76, 102, 152]	54 [24]
8 [203]	56 [25]

ENGINEERING SPECIFICATION: ZURN Z610-HC

12-1/2" [318mm] Square top drain, Dura-Coated cast iron body with bottom outlet, seepage pan and combination membrane flashing clamp and frame for heavy-duty cast iron hinged solid cover, with suspended sediment bucket.

OPTIONS (Check/specify appropriate options)

PIPE SIZE

- 3, 4, 6, [76, 102, 152]
- 3, 4, 6 [76, 102, 152]
- 2, 3, 4, 6 [51, 76, 102, 152]
- 2, 3, 4, 6, 8 [51, 76, 102, 152, 203]
- 2, 3, 4 [51, 76, 102]

(Specify size/type) OUTLET

- ___ IC Inside Caulk
- ___ IG Inside Caulk
- ___ IP Threaded
- ___ NH No-Hub
- ___ NL Neo-Loc

'E' BODY HT. DIM.

- 5 1/4 [133]
- 5 1/4 [133]
- 3 3/4 [95]
- 5 1/4 [133]
- 4 5/8 [117]

PREFIXES

- ___ Z D.C.C.I. Body and Top*
- ___ ZB D.C.C.I Body w/Polished Bronze Top (Add 3/16 [5] to 2-1/2 [64] Dim. and 3/4 [19] to 12-1/2 [318] Dim.)
- ___ ZN D.C.C.I Body w/Polished Nickel Bronze Top (Add 3/16 [5] to 2-1/2 [64] Dim. and 3/4 [19] to 12-1/2 [318] Dim.)

SUFFIXES

- | | |
|---|--|
| ___ -AR Acid Resistant Epoxy Coated Cast Iron | ___ -SS Stainless Steel Mesh Liner for Bucket |
| ___ -DS Ductile Iron Solid Cover | ___ -TC Neo-Loc Test Cap Gasket
(2,3,4 [51,76,102] NL Bottom Outlet Only) |
| ___ -DX Dex-O-Tex Flange (ZB,ZN Only) | ___ -V Backwater Valve (See Z1099) |
| ___ -F 2 [51] High Extension | ___ -YA Aluminum Sediment Bucket |
| ___ -G Galvanized Cast Iron | ___ -YC Cast Iron Sediment Bucket |
| ___ -LY (Less) Sediment Bucket | ___ -90 90° Threaded Side Outlet Body |
| ___ -P Trap Primer Connection | |
| ___ -S Secondary Strainer | |

* Regularly furnished unless otherwise specified.