

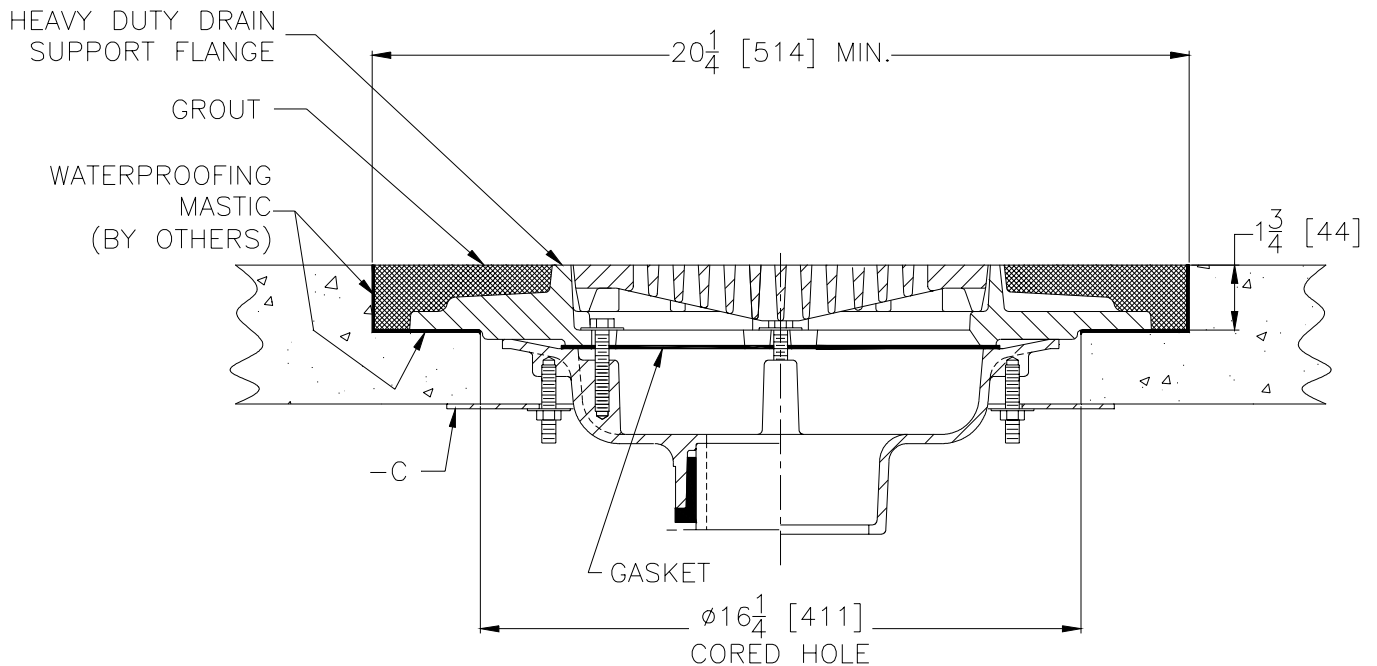


TYPICAL INSTALLATION

Z-534-C

PARKING DECK DRAIN

Dimensional Data (inches and [mm]) are Subject to Manufacturing Tolerances and Change Without Notice



Z-534-C PARKING DECK DRAIN

Parking Deck Drains are designed for economical installation in precast construction. Wide heavy-duty flange allows shallow core drilling or boxing out and maximum strength at load bearing surface. Heavy-duty non-tilt grate is standard and underdeck clamp (-C) is available to securely fasten drain body to deck from underside. For other available parking deck drains see Z-533, Z-535, Z-535-E, Z-536, Z-536-24, and Z-537.

Form # FD20

Date: 12/19/01

C.N. No. 88220

Rev. A

ZURN INDUSTRIES, INC. ♦ SPECIFICATION DRAINAGE OPERATION ♦ 1801 Pittsburgh Ave. ♦ Erie, PA 16514

Phone: 814/455-0921 ♦ Fax: 814/454-7929 ♦ World Wide Web: www.zurn.com

In Canada: ZURN INDUSTRIES LIMITED ♦ 3544 Nashua Drive ♦ Mississauga, Ontario L4V1L2 ♦ Phone: 905/405-8272 Fax: 905/405-1292