

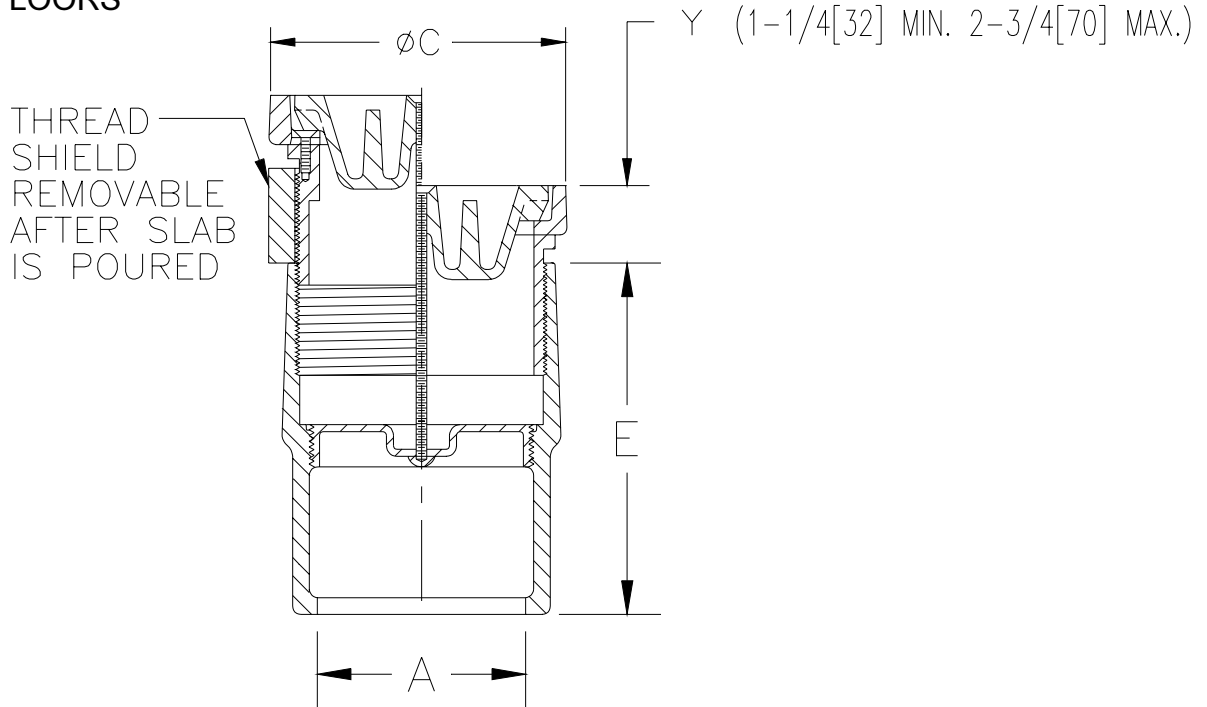


Z-1400-84 ADJUSTABLE CLEANOUT

TAG _____

Dimensional Data (inches and [mm]) are Subject to Manufacturing Tolerances and Change Without Notice

TERRAZZO FLOORS



Dimensions In Inches[mm]			Approx. Wt. Lbs. [kg]
A-Pipe Size	C	E	
Inside Caulk			
2[51]	6-1/8[156]	6-7/8[175]	16[7]
3[76]	6-1/8[156]	6-7/8[175]	16[7]
4[102]	7-1/4[184]	6-7/8[175]	19[9]
5[127]	8-1/4[210]	6-7/8[175]	21[10]
6[152]	9-1/4[235]	6-7/8[175]	23[10]

ENGINEERING SPECIFICATION: ZURN Z-1400-84 Adjustable floor cleanout, Dura-Coated cast iron body, with watertight ABS tapered thread plug, and round scoriated top, adjustable to finished floor.

OPTIONS (Check/specify appropriate options)

PREFIXES

- _____ **Z-** D.C.C.I.*
- _____ **ZB-** D.C.C.I. with Polished Bronze Top
- _____ **ZN-** D.C.C.I. with Polished Nickel Bronze Top

SUFFIXES

- _____ **-BP** Bronze Plug
- _____ **-CM** Carpet Marker
- _____ **-DC** Duresist Cover
- _____ **-DX** Round ZB or ZN Top w/Dex-o-tex Flange (2"[51] thru 4"[102] only)
- _____ **-G** Galvanized Cast Iron
- _____ **-GC** Gasketed Cover
- _____ **-HD** Heavy Duty Top (Add 3/16[5] to 'Y' Dim. ZB or ZN only)
- _____ **-K** Anchor Flange
- _____ **-KC** Anchor Flange w/Clamping Collar
- _____ **-T** Square Scoriated Top
- _____ **-TX** Square Top Recessed for Tile (ZB and ZN only)
- _____ **-VP** Vandal Proof Secured Top
- _____ **-X** Round Top Recessed for Tile (ZB and ZN only)
- _____ **-Z** Round Top Recessed for Terrazzo (ZB and ZN only)

OUTLET (Specify type)

_____ **IC** Inside Caulk

PIPE SIZE (Specify size)

_____ 2"[51] thru 6"[152]

E BODY HT. DIM.

See Chart

REV. _____ DATE: 9/19/94 C.N. NO. 70031

DWG. NO. P-14046 PRODUCT NO. Z-1400-84

*REGULARLY FURNISHED UNLESS OTHERWISE SPECIFIED