



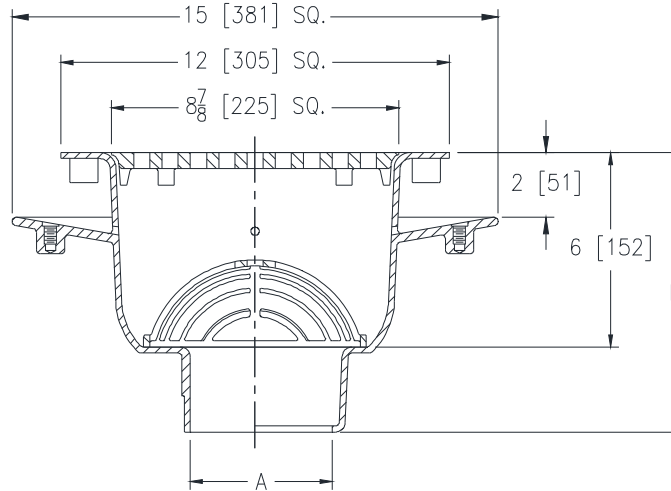
# Z1900-K

12 X 12 [305 X 305] A.R.E. SANI-FLOR RECEPTOR  
W/ 6 [152] SUMP DEPTH & ANCHOR FLANGE

SPECIFICATION SHEET

TAG \_\_\_\_\_

Dimensional Data (inches and [ mm ]) are Subject to Manufacturing Tolerances and Change Without Notice



A Pipe Size In. [mm]	Approx Wt. Lbs.[kg]	Grate Open Area Sq. In. [cm <sup>2</sup> ]
2,3,4 [51,76,102]	42 [19]	31 [200]

### ENGINEERING SPECIFICATION: ZURN Z1900-K

Sani-Flor receptor 12" x 12" x 6" [305mm x 305mm x 152mm] deep cast iron body with anchor flange, seepage holes, square slotted light-duty grate with white acid resisting porcelain enamel interior and top, black ground enamel exterior coating, and white ABS anti-splash interior bottom dome strainer.

### OPTIONS (Check/specify appropriate options)

#### PIPE SIZE

- 3,4 [76,02]
- 2,3,4 [51,76,102]
- 2,3,4 [51,76,102]

#### (Specify size/type) OUTLET

- \_\_\_ IC Inside Caulk
- \_\_\_ NH No-Hub
- \_\_\_ NL Neo-Loc

#### 'E' BODY HT. DIMENSION

Z	ZN / ZS
8-5/8 [219]	9-1/8 [232]
8-5/8 [219]	9-1/8 [232]
8 [203]	8-1/2 [216]

#### PREFIXES

- \_\_\_ Z Cast Iron Body with White A.R.E. Interior\*
- \_\_\_ ZN Cast Iron Body with White A.R.E. Interior, 12-3/8 [314] Square Nickel Bronze Frame and Full Grate with 1/2 [12] Openings.
- \_\_\_ ZS Cast Iron Body with White A.R.E. Interior, 12-3/8 [314] Square Stainless Steel Frame and Full Grate with 1/2 [12] Openings.

#### SUFFIXES

- |  |  |
|--|--|
| ___ -DX Dex-O-Tex Flange (ZN Only)   | ___ -6 Grate w/ 6 [152] Dia. x 6 [152] High Funnel                     |
| ___ -HD Stainless Steel Frame w/ Extra Heavy-Duty Stainless Steel Grate (ZS Only)            | ___ -8 Grate w/ 8-7/8 x 3-5/8 x 3-3/4 [225 x 92 x 95] High Oval Funnel |
| ___ -HP Heel-Proof Grate (ZN Only)   | ___ -11 Vandal-Proof Secured Top (ZN & ZS Only)                        |
| ___ -LD (Less) Bottom Dome Strainer  | ___ -15 Solid Loose Set Cover (Z & ZN Only)                            |
| ___ -P 1/2 [13] Trap Primer Connection (See Z1023)   | ___ -19 Full Hinged Grate (ZN Only)                                    |
| ___ -SA Stabilizer Assembly (See Z1903)  | ___ -23 Aluminum Bucket  |
| ___ -TC Neo-Loc Test Cap Gasket (2,3,4 [51,76,102] NL Bottom Outlet Only)                    | ___ -25 White A.R.C. Bucket  |
| ___ -VPS Vandal Proof Strainer   | ___ -31 Stainless Steel Mesh Liner for Bucket                          |
| ___ -1 (Less) Grate  | ___ -32 Aluminum Dome Strainer   |
| ___ -2 1/2 Grate   | ___ -33 White A.R.C. Anti-Splash Bottom Dome Strainer                  |
| ___ -3 3/4 Grate   |  |
| ___ -4 Full Grate w/ Center Opening (2 [51] Dia. for Z) and (3-1/32 [77] Square for ZN & ZS) |  |

\* Regularly furnished unless otherwise specified.