



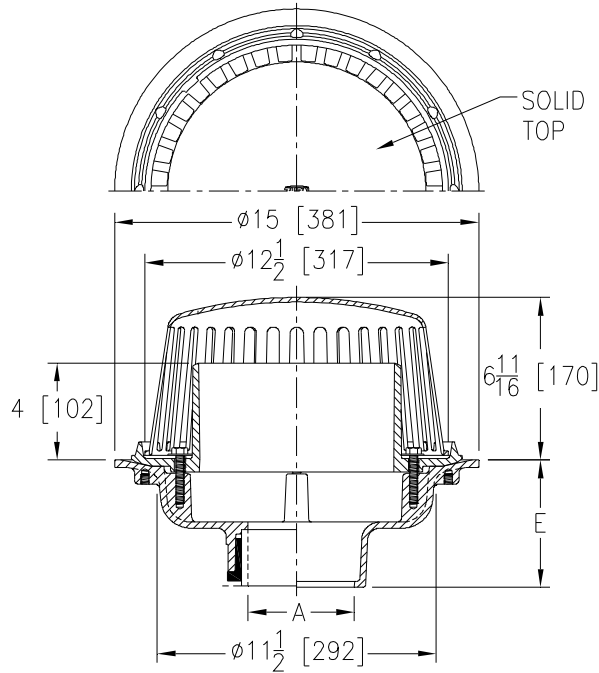
# ZA100-HD-ST-W4

15 [381] DIAMETER ROOF DRAIN W/ HIGH ALUMINUM  
 DOME WITH SOLID TOP & 4 [102] INTERNAL WATER DAM

SPECIFICATION SHEET

TAG \_\_\_\_\_

Dimensional Data (inches and [ mm ]) are Subject to Manufacturing Tolerances and Change Without Notice



A Pipe Size In [mm]	Approx. Wt. Lbs. [kg]	Dome Open Area Sq. In. [cm <sup>2</sup> ]
2, 3, 4 [51, 76, 102]	43 [20]	113 [729]
6 [152]	40 [18]	
8 [203]	53 [20]	

**ENGINEERING SPECIFICATION: ZURN ZA100-HD-ST-W4**

15" [381mm] Diameter roof drain. Dura-Coated cast iron body with combination membrane flashing clamp/gravel guard, 4" [102mm] high internal water dam, 6-3/4" [171mm] high aluminum dome strainer with solid top.

**OPTIONS** (Check/specify appropriate options)

**PIPE SIZE**

- 3, 4, 6 [76, 102, 152]
- 2, 3, 4, 6, 8 [51, 76, 102, 152, 203]
- 2, 3, 4, 6, 8 [51, 76, 102, 152, 203]
- 2, 3, 4 [51, 76, 102]
- 6 [152]

(Specify size/type) **OUTLET**

- \_\_\_\_\_ IC Inside Caulk
- \_\_\_\_\_ IP Threaded
- \_\_\_\_\_ NH No-Hub
- \_\_\_\_\_ NL Neo-Loc
- \_\_\_\_\_ NL Neo-Loc

**'E' BODY HT. DIM.**

- 5-1/4 [133]
- 3-3/4 [95]
- 5-1/4 [133]
- 4-9/16 [116]
- 5-7/16 [112]

**PREFIXES**

- \_\_\_\_\_ ZA D.C.C.I. Body with 6-3/4 [171] High Aluminum Dome\*

**SUFFIXES**

- |   |   |
|---|---|
| _____ -AC Angular Underdeck Clamp                           | _____ -G Galvanized Cast Iron                     |
| _____ -AR Acid Resistant Epoxy Coated                       | _____ -R Roof Sump Receiver                       |
| _____ -C Underdeck Clamp                                    | _____ -SC Secondary Clamp Collar                  |
| _____ -DE Deck Extension                                    | _____ -SS Stainless Steel Mesh Screen Over Dome   |
| _____ -DP Top-Set® Deck Plate (Replaces both the -C and -R) | _____ -TC Neo-Loc Test Cap Gasket                 |
| _____ -DR Top-Set® Drain Riser                              | _____ -VP Vandal-Proof Secured Top                |
| _____ -E Static Extension 1 [25] thru 4 [102] (Specify Ht.) | _____ -84 Stainless Steel Perforated Gravel Guard |
| _____ -EA Adjustable Extension Assembly                     | _____ -90 90° Threaded Side Outlet Body           |
| _____ -EB Top-Set® Adjustable Extension Assembly            |   |

\* Regularly furnished unless otherwise specified.