



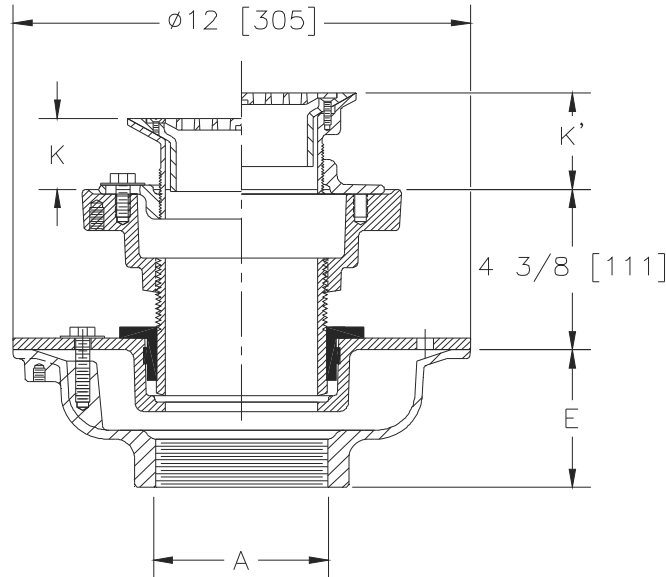
Z415H-82

ISOLATION DECK DRAIN WITH ADJUSTABLE SURFACE CLAMPING UPPER DRAIN

SPECIFICATION SHEET

TAG _____

Dimensional Data (inches and [mm]) are Subject to Manufacturing Tolerances and Change Without Notice



Dimensions In Inches [mm]						Approx. Wt. Lbs. [kg]	Strainer Open Area Sq. In. [cm ²]
A - Pipe Size	B - Top Size	K		K'			
		Min.	Max.	Min.	Max.		
2,3,4,5,6 [51,76,102,127,152]	6 [152]	1-1/4 [32]	2-3/8 [60]	2-3/16 [56]	3-5/16 [84]	37 [17]	7 [45]
	9 [229]	1-11/16 [43]	2-5/8 [66]	2-7/16 [62]	3-9/16 [90]	44 [20]	18 [116]

ENGINEERING SPECIFICATION: ZURN ZN415H-82

Floor and shower drain, Dura-Coated cast iron body with bottom outlet, combination invertible membrane clamp and adjustable collar with seepage slots and "TYPE H" polished nickel bronze, light-duty strainer with flashing clamp device for clamping at the finished floor level. Complete with lower cast iron isolation drain, clamping collar, neoprene flex gasket, and isolation nipple.

OPTIONS (Check/specify appropriate options)

PIPE SIZE

- 2,3,4,5,6 [51,76,102,127,152]
- 2,3,4,5,6 [51,76,102,127,152]
- 2,3,4,5,6 [51,76,102,127,152]
- 2,3,4 [51,76,102]

(Specify size/type) OUTLET

- _____ IC Inside Caulk
- _____ IP Threaded
- _____ NH No-Hub
- _____ NL Neo-Loc

E BODY HT. DIM.

- 5-1/4 [133]
- 3-3/4 [95]
- 5-1/4 [133]
- 4-5/8 [117]

PREFIXES

- _____ ZB D.C.C.I. Body Assembly w/ Polished Bronze Top
- _____ ZN D.C.C.I. Body Assembly w/ Polished Nickel Bronze Top*

SUFFIXES

- _____ -AR Acid Resistant Epoxy Coated Cast Iron
- _____ -C Underdeck Clamp (Lower Body)
- _____ -DP Top-Set Deck Plate (Lower Body)
- _____ -G Galvanized Cast Iron
- _____ -R Roof Sump Receiver (Lower Body)
- _____ -J 1 thru 3 [25 thru 76] High Extension Adapter
- _____ -V Backwater Valve
- _____ -VP Vandal Proof Secured Top
- _____ -Y Sediment Bucket
- _____ -18 Leveling Ring
- _____ -90 90° Threaded Side Outlet Body(Lower Body)

* Regularly furnished unless otherwise specified.