



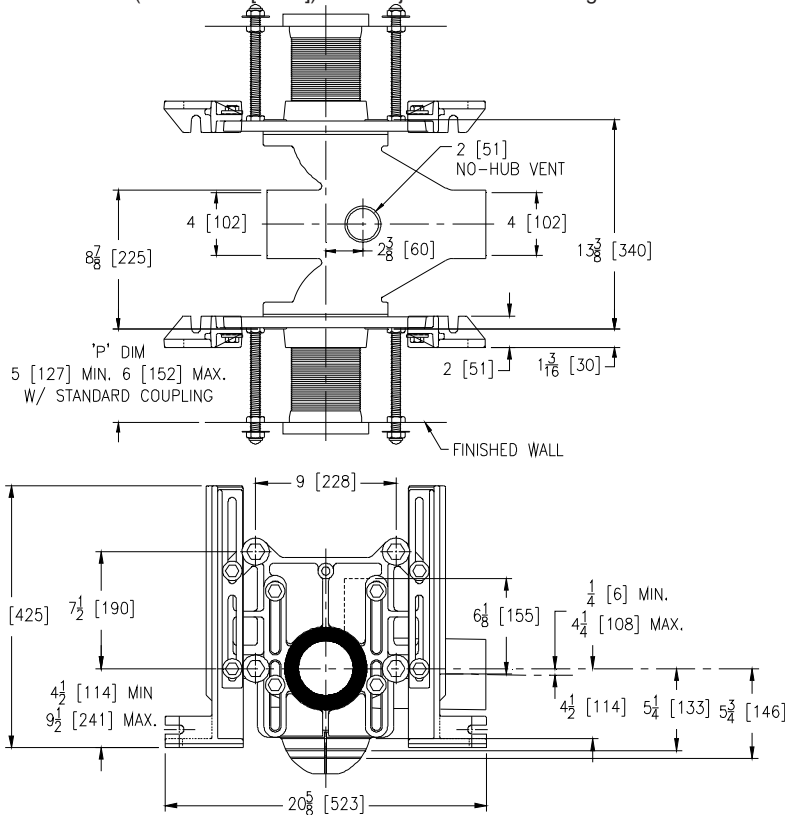
# Z1203-ND4-PS

ADJUSTABLE HORIZONTAL BACK TO BACK  
SIPHON JET NO-HUB W/ PREFAB SLOTTED FEET

SPECIFICATION SHEET

TAG \_\_\_\_\_

Dimensional Data (inches and [ mm ]) are Subject to Manufacturing Tolerances and Change Without Notice



Product Number	Approx. Wt. Lbs. [kg]
Z1203-ND4-PS	120 [54]

Note:

1. Min. 'P' Dim. Obtainable = 2 [51] with cut standard coupling
2. Feet bolted to floor using min. 1/2 [13] dia. bolts and back slots on carrier feet.

## ENGINEERING SPECIFICATION: ZURN Z1203-ND4-PS

Adjustable, horizontal siphon jet water closet "Rigid System" with 4" [102mm] No-Hub connections. Complete with Dura-Coated cast iron double main fitting, with 2" [51mm] vent, adjustable gasketed face plates, prefab slotted foot supports, corrosion resistant adjustable ABS couplings with integral test cap, fixture bolts, trim, stud protectors and bonded "Neo-Seal" gaskets.

### OPTIONS (Check/specify appropriate options)

\_\_\_ Z1203-ND4-PS 4 [102] No-Hub Back to Back Inlet (Double)

### PREFIXES

\_\_\_ Z D.C.C.I. System with Zurn "ZZ" Adjustable Coupling\*  
\_\_\_ ZQ D.C.C.I. System with Non-Adjustable Coupling

### SUFFIXES

- \_\_\_ -A Auxiliary Support Assembly (for 'P' Dim. Greater Than 18 [457])
- \_\_\_ -B Blowout Type Fixture Support
- \_\_\_ -CC Corrosion Resistant Cast Iron Coupling (6 - 12 [152 - 305])
- \_\_\_ -CL Coupling Length Other Than Standard 6 [152] (Specify Length Required)
- \_\_\_ -F Floor Mount, Back Outlet Fixture Support
- \_\_\_ -JC 2 [51] Auxiliary Inlet with Sanitary Sweep on Faceplate Centerline (No-Hub only)
- \_\_\_ -M Auxiliary Foot Support (For 'P' Dim. 10 - 18 [254 - 457])
- \_\_\_ -VP Vandal-Proof Trim
- \_\_\_ -X3 3 [76] Foot Extension (See Z1200-FT-EXT-3)
- \_\_\_ -X4 4 [102] Foot Extension (See Z1200-FT-EXT-4)
- \_\_\_ -45 Finishing Frame for Siphon Jet System (See Z1200-FINFRAME-SJ)
- \_\_\_ -50 Flush Valve Supply Support for W.C. (See Z1200-SPLY-SPRT-WC)

\* Regularly furnished unless otherwise specified.

Zurn Industries, LLC | Specification Drainage Operation  
1801 Pittsburgh Avenue, Erie, PA U.S.A. 16502 · Ph. 855-663-9876, Fax 814-454-7929  
In Canada | Zurn Industries Limited  
3544 Nashua Drive, Mississauga, Ontario L4V 1L2 · Ph. 905-405-8272, Fax 905-405-1292  
[www.zurn.com](http://www.zurn.com)

Rev. A  
Date: 10/10/2017  
C.N. No. 138605  
Prod. | Dwg. No. Z1203-ND4-PS