



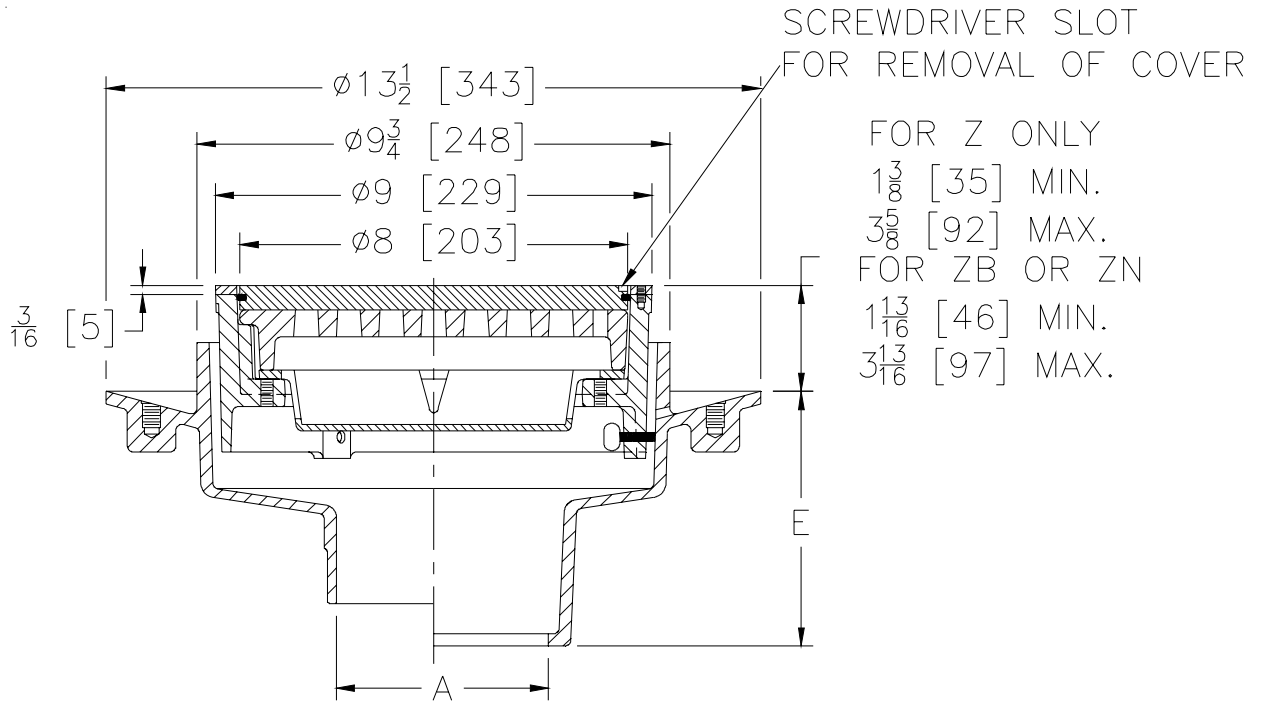
Z520-81

Ø9 [229] ADJUSTABLE HEAVY-DUTY DRAIN W/ SECONDARY COVER & BUCKET

SPECIFICATION SHEET

TAG _____

Dimensional Data (inches and [mm]) are Subject to Manufacturing Tolerances and Change Without Notice



A Pipe Size	Approx. Wt. Lbs. [kg.]
2-3-4[51-76-102]	39 [18]

ENGINEERING SPECIFICATION: ZURN Z520-81

Ø9 [229] top drain, Dura-Coated cast iron body with bottom outlet, seepage pan, adjustable extension frame with heavy duty cast iron deep flange slotted grate, secondary cover with o-ring and bucket.

OPTIONS (Check/specify appropriate options)

PIPE SIZE	(Specify size/type) OUTLET	'E' BODY HT. DIM.
2-3-4[51-76-102]	___ IC Inside Caulk	6-1/4 [159]
2-3-4[51-76-102]	___ IG Inside Caulk w/ Sealtrol Gasket	6-1/4 [159]
2-3-4[51-76-102]	___ IP Threaded	4-1/2 [114]
2-3-4[51-76-102]	___ NH No-Hub	5-1/4 [133]
2-3-4[51-76-102]	___ NL Neo-Loc	5-3/8 [137]

PREFIXES

- ___ **Z** D.C.C.I. Body and Grate
- ___ **ZB** D.C.C.I. Body w/ Polished Bronze Grate (Add 5/8 [19] to 9 [229] Dim.)
- ___ **ZN** D.C.C.I. Body w/ Polished Nickel Bronze Grate (Add 5/8 [19] to 9 [229] Dim.)*

SUFFIXES

- ___ **-AR** Acid Resisting Epoxy Coated Finish
- ___ **-C** Clamp Collar
- ___ **-DG** Duresist Grate
- ___ **-F** Extension Frame (Specify Height)
- ___ **-G** Galvanized Cast Iron
- ___ **-P** Trap Primer Connection
- ___ **-S** Secondary Strainer
- ___ **-SS** Stainless Mesh Liner for Bucket
- ___ **-T** Square Top
- ___ **-V** Backwater Valve (See Z1099)
- ___ **-VP** Vandal Proof Secured Top
- ___ **-90** 90° Side Outlet

*REGULARLY FURNISHED UNLESS OTHERWISE SPECIFIED

REV. A	DATE: 10/27/10	C.N. NO. 111989
DWG. NO. P-13732	PRODUCT NO. Z520-81	

ZURN INDUSTRIES, LLC. ♦ SPECIFICATION DRAINAGE OPERATION ♦ 1801 Pittsburgh Ave. ♦ Erie, PA 16514

Phone: 814/455-0921 ♦ Fax: 814/454-7929 ♦ World Wide Web: www.zurn.com

In Canada: ZURN INDUSTRIES LIMITED ♦ 3544 Nashua Drive ♦ Mississauga, Ontario L4V1L2 ♦ Phone: 905/405-8272 Fax: 905/405-1292