



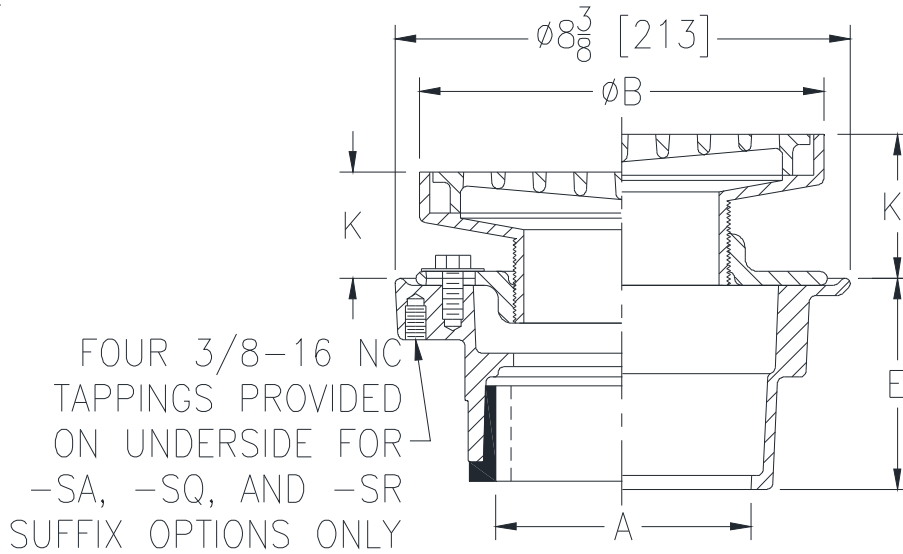
Z415N-91

BODY ASSEMBLY
W/ "TYPE N" STRAINER AND CLAMP COLLAR
LESS WEEP HOLES

SPECIFICATION SHEET

TAG _____

Dimensional Data (inches and [mm]) are Subject to Manufacturing Tolerances and Change Without Notice



Dimensions in Inches [mm]						Approx. Wt. Lbs. [kg]	Strainer Open Area Sq. In. [cm ²]
A - Pipe Size	B Strainer Dia.	K		K'			
		Min.	Max.	Min.	Max.		
2, 3, 4 [51, 76, 102]	7 [178]	1-9/16 [40]	2-3/8 [60]	1-7/8 [48]	3-1/8 [79]	17 [8]	12 [77]
2, 3, 4 [51, 76, 102]	9 [229]	1-11/16 [43]	2-5/8 [67]	2 3/16 [56]	3-3/8 [86]	21 [10]	23 [148]
6 [152]	9 [229]	1-11/16 [43]	2-5/8 [67]	2 3/16 [56]	3-3/8 [86]	23 [10]	23 [148]

ENGINEERING SPECIFICATION: ZURN ZN415N-91

Floor and shower drain, Dura-Coated cast iron body with bottom outlet, combination invertible membrane clamp and adjustable collar less seepage slots and "TYPE N" D.C.C.I., light-duty strainer with deep flanged grate.

OPTIONS (Check/specify appropriate options)

PIPE SIZE	(Specify size/type)	OUTLET	'E' BODY HT. DIM.
2 [51]	_____	IP Threaded	2-7/16 [62]
3 [76]	_____	IP Threaded	2-3/4 [70]
4 [102]	_____	IP Threaded	2-13/16 [71]
6 [152]	_____	IP Threaded	2-7/8 [73]
2, 3, 4 [51, 76, 102]	_____	NH No-Hub	3-13/16 [97]
2, 3, 4 [51, 76, 102]	_____	NL Neo-Loc	3-7/8 [98]

PREFIXES

- _____ Z D.C.C.I. Body Assembly w/ Dura-Coated Top*
- _____ ZB D.C.C.I. Body Assembly w/ Polished Bronze Top
- _____ ZN D.C.C.I. Body Assembly w/ Polished Nickel Bronze Top

SUFFIXES

- | | | | |
|-----------|---|-----------|---|
| _____ -AR | Acid Resisting Epoxy Coated Cast Iron | _____ -TS | Top Secured with Slotted Screws |
| _____ -DG | Duresist Grate | _____ -U | 1 - 3 [25 - 76] High Extension Adapter |
| _____ -G | Galvanized Cast Iron | _____ -V | Backwater Valve |
| _____ -P | Trap Primer Connection (Specify 1/2 [13] or 3/4 [19]) | _____ -VP | Vandal-Proof Secured Top |
| _____ -SA | Stabilizer Assembly (See Z1035) | _____ -Y | Sediment Bucket |
| _____ -SQ | Stabilizer Q-Deck (See Z1035-Q) | _____ -90 | 90° Threaded Side Outlet Body Assembly (2,3 [51,76] Only) |
| _____ -SR | Stabilizer Ring | | |
| _____ -TC | Neo-Loc Test Cap Gasket (2,3,4 [51,76,102] NL Bottom Outlet Only) | | |

* Regularly furnished unless otherwise specified.

Zurn Industries, LLC | Specification Drainage Operation
1801 Pittsburgh Avenue, Erie, PA U.S.A. 16502 · Ph. 855-663-9876, Fax 814-454-7929

In Canada | Zurn Industries Limited
7900 Goreway Drive, Unit 10, Brampton, Ontario L6T 5W6, 877-892-5216
www.zurn.com

Rev. -
Date: 04/14/20
C.N. No. 142577
Prod. | Dwg. No. Z415N-91