



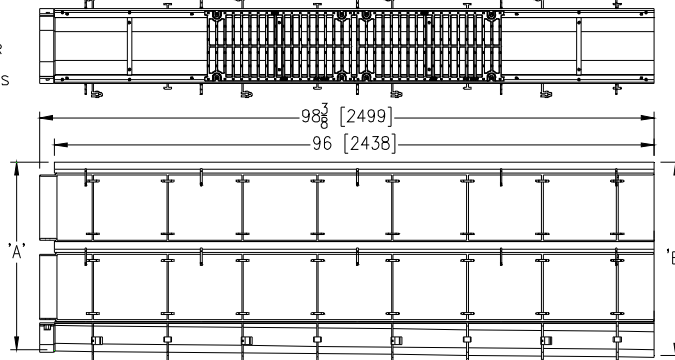
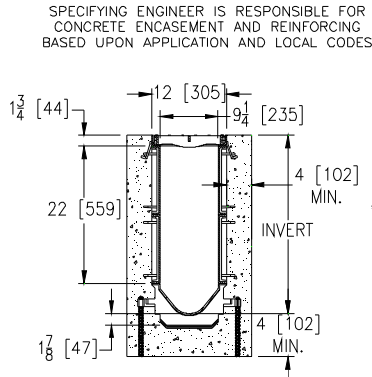
Z882-HDG-SW2

SPECIFICATION SHEET

12 [305] WIDE REVEAL TRENCH DRAIN SYSTEM WITH GALVANIZED STEEL FRAME AND DOUBLE SIDEWALL EXTENSIONS

TAG _____

Dimensional Data (inches and [mm]) are Subject to Manufacturing Tolerances and Change Without Notice



Note: + Actual Channel length is 98 3/8 [2499] to allow for overlap.

ENGINEERING SPECIFICATION: Zurn Z882-HDG-SW2 Channels shall be 96 [2438] long, 12 [305] wide reveal and have a 9-1/4 [235] throat. Modular channel sections shall be made of 0% water absorbent High Density Polyethylene (HDPE). Shall have a positive mechanical connection between channel sections that will not separate during the installation and shall mechanically lock into the concrete surround every 12 [305]. Channels shall weigh less than 5.05 lbs. [2.29kg] per linear foot, have a smooth, 3 [76] radiused self cleaning bottom with a Manning's coefficient of 0.009 and 1.04% or neutral 0% built in slope. Channels shall have HDPE SW2 Side Walls provided for an additional 22 [559] added to the standard channel invert for additional flow capability shown in chart below. Channels shall have all grates locked down. Shall have rebar clips standard to secure trench in its final location. Shall be provided with the standard GDC grate that locks down to the frame. Zurn 12 [305] wide reveal Galvanized Ductile Iron Slotted Grate. Ductile Iron conforms to ASTM specification A536-84, Grade 80-55-06. Galvanized Ductile Iron grate is rated class C per the DIN EN1433 top load classifications. Supplied in 24 [608] nominal lengths with 13/16 [21] wide slots, and 1-1/2 [38] bearing depth. Grate has an open area of 57.50 sq. in per ft. [121708 sq. mm per meter]. The 1/4 [6] thick Galvanized Carbon Steel Frame Assembly conforms to ASTM specification A36 and Galvanizing conforms to ASTM specification A123 with 10 - 4 [102] long concrete anchors per 96 [2438]. Grate lockdown bars are integral to the frame. All welds must be performed by a certified welder per ASTM standard AWS D1.1. Frames Shall be produced in the USA.

PREFIX OPTIONS (Check/specify appropriate options)

- ___ Z Eight-foot High Density Polyethylene (HDPE) Channel, Heavy-Duty Frame with Anchor Studs.*

SUFFIX OPTIONS (Check/specify appropriate options)

Outlet Adapters Add/Each

- ___ -E1 Closed End Cap
- ___ -E4 4 [102] No-Hub End Outlet
- ___ -E6 6 [152] No-Hub End Outlet
- ___ -E8 8 [203] No-Hub End Outlet
- ___ -U4 4 [102] No-Hub Bottom Outlet
- ___ -U6 6 [152] No-Hub Bottom Outlet
- ___ -U8 8 [203] No-Hub Bottom Outlet

Grate Options (Load Classifications are per DIN EN1433)

- ___ -BDC Black Acid Resistant Epoxy Coated Ductile Grate - Class C
- ___ -BDE Black Acid Resistant Epoxy Coated Ductile Grate - Class E
- ___ -DC Ductile Iron Solid Cover - Class C
- ___ -DGC Ductile Iron Slotted Grate - Class C
- ___ -DGE Ductile Iron Slotted Grate - Class E
- ___ -DGF Ductile Iron Slotted Grate - Class F
- ___ -GDC Galvanized Ductile Slotted Grate - Class C *
- ___ -GDE Galvanized Ductile Slotted Grate - Class E
- ___ -GDF Galvanized Ductile Slotted Grate - Class F
- ___ -GHPD Galvanized Heel-Proof Ductile Grate - Class C
- ___ -GHPDE Galvanized Heel-Proof Ductile Slotted Grate - Class E
- ___ -HPD Heel-Proof Ductile Slotted Grate - Class C
- ___ -HPDE Heel-Proof Ductile Slotted Grate - Class E

Trench No.	'A' Shallow Inv.	'B' Deep Inv.	Flow		
			(cfs)	(gpm)	(lps)
8202 SW2	29.25 [743]	30.25 [768]	13.79	6192	391
8203 SW2	30.25 [768]	31.25 [794]	14.35	6442	406
8203N SW2	31.25 [794]	31.25 [794]	-	-	-
8204 SW2	31.25 [794]	32.25 [819]	14.91	6692	422
8205 SW2	32.25 [819]	33.25 [845]	15.47	6942	438
8206 SW2	33.25 [845]	34.25 [870]	16.02	7192	454
8206N SW2	34.25 [870]	34.25 [870]	-	-	-
8607SW2	34.25 [870]	35.25 [895]	16.58	7442	469
8208 SW2	35.25 [895]	36.25 [921]	17.14	7692	485
8209 SW2	36.25 [921]	37.25 [946]	17.69	7942	501
8209N SW2	37.25 [946]	37.25 [946]	-	-	-
8210 SW2	37.25 [946]	38.25 [972]	18.25	8192	517
8211 SW2	38.25 [972]	39.25 [997]	18.81	8442	533
8212 SW2	39.25 [997]	40.25 [1022]	19.36	8692	548

Miscellaneous Options (cont.)

- ___ -GFA Galvanized Frame Assembly
- ___ -JC Joint Connector
- ___ -VP Vandal-Proof Lockdown

MADE in the U.S.A.

- ___ -ADA-USA Meets Americans with Disabilities Act Requirements - Class C
- ___ -BG Galvanized Steel Bar Grate - Class D
- ___ -DGC-USA Ductile Iron Slotted Grate - Class C
- ___ -DGE-USA Ductile Iron Slotted Grate - Class E
- ___ -FG Fabricated Galvanized Steel Slotted Grate - Class A
- ___ -GADA-USA Galvanized Ductile ADA Slotted Grate - Class C
- ___ -GDC-USA Galvanized Ductile Slotted Grate - Class C
- ___ -GDE-USA Galvanized Ductile Slotted Grate - Class E
- ___ -GG Fiberglass Grate - Class A
- ___ -GHDD Galvanized Highway Ductile Domestic Grate - Class C
- ___ -PG Perforated Galvanized Steel Grate - Class A
- ___ -RFG Reinforced Galvanized Slotted Grate - Class B
- ___ -RPG Reinforced Galvanized Perforated Grate - Class B

Miscellaneous Options

- ___ -DB Bottom Dome Strainer

REV. A DATE: 7/15/11 C.N. NO. 121595
DWG. NO. 301742 PRODUCT NO. Z882-HDG-SW2

*REGULARLY FURNISHED UNLESS OTHERWISE SPECIFIED

ZURN INDUSTRIES, LLC ♦ SPECIFICATION DRAINAGE OPERATION ♦ 1801 Pittsburgh Ave. ♦ Erie, PA 16514

Phone: 814455-0921 ♦ Fax: 814454-7929 ♦ World Wide Web: www.zurn.com

In Canada: ZURN INDUSTRIES LIMITED ♦ 3544 Nashua Drive ♦ Mississauga, Ontario L4V1L2 ♦ Phone: 905405-8272 Fax: 905405-1292