



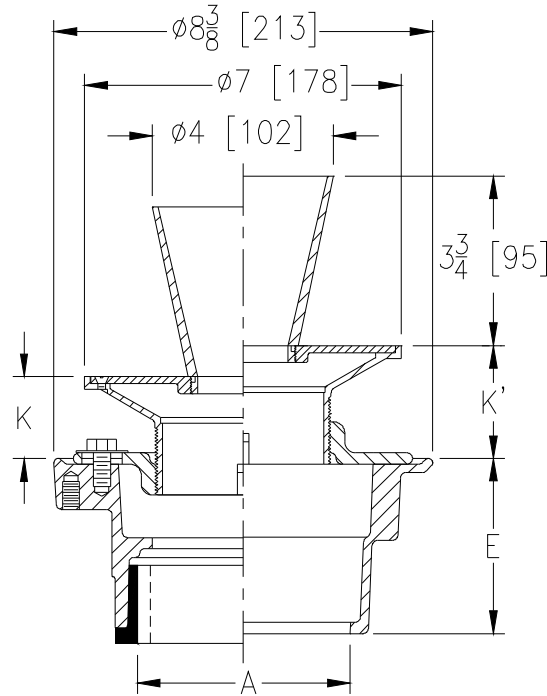
Z415E-SC

FLOOR AND SHOWER DRAIN
W/ "TYPE E" STRAINER AND SOLID COVER

SPECIFICATION SHEET

TAG _____

Dimensional Data (inches and [mm]) are Subject to Manufacturing Tolerances and Change Without Notice



Dimensions in Inches [mm]				Approx Wt. Lbs [kg]	Strainer Open Area In ² [cm ²]
A Pipe Size	K		K'		
	Min	Max	Min	Max	
2,3,4 [51,76,102]	1 [25]	2-1/8 [54]	1-5/8 [41]	2-15/16 [75]	19 [9] 5 [32]

ENGINEERING SPECIFICATION: ZURNZN415E-SC

Floor and shower drain, Dura-Coated cast iron body with bottom outlet, combination invertible membrane clamp and adjustable collar with "TYPE E" polished, nickel bronze solid cover with 4" [102mm] diameter funnel.

OPTIONS (Check/specify appropriate options)

PIPE SIZE	(Specify size/type)	OUTLET	E BODY HT. DIM.
2,3,4 [51,76,102]	_____	IC Inside Caulk	4-3/16 [106]
2 [51]	_____	IP Threaded	2-7/16 [62]
3 [76]	_____	IP Threaded	2-3/4 [70]
4 [102]	_____	IP Threaded	2-13/16 [71]
2,3,4 [51,76,102]	_____	NH No-Hub	3-13/16 [97]
2,3,4 [51,76,102]	_____	NL Neo-Loc	3-7/8 [98]

PREFIXES

- _____ ZB D.C.C.I. Body with Polished Bronze Top
- _____ ZN D.C.C.I. Body with Polished Nickel Bronze Top*

SUFFIXES

- | | |
|---|---|
| _____ -AR Acid Resistant Epoxy Coated Cast Iron | _____ -TC Neo-Loc Test Cap Gasket |
| _____ -G Galvanized Cast Iron | (2,3,4 [51,76,102] NL Bottom Outlet Only) |
| _____ -P Trap Primer Connection | _____ -U 1 - 3 [25 - 76] High Extension Adapter |
| (Specify 1/2 [13] or 3/4 [19]) | _____ -V Backwater Valve |
| _____ -SA Stabilizer Assembly (See Z1035) | _____ -VP Vandal Proof Secured Top |
| _____ -SQ Stabilizer Q-Deck (See Z1035-Q) | _____ -Y Sediment Bucket |
| _____ -SR Stabilizer Ring (See Z400-U) | _____ -90 90° Threaded Side Outlet Body |

* Regularly furnished unless otherwise specified.