



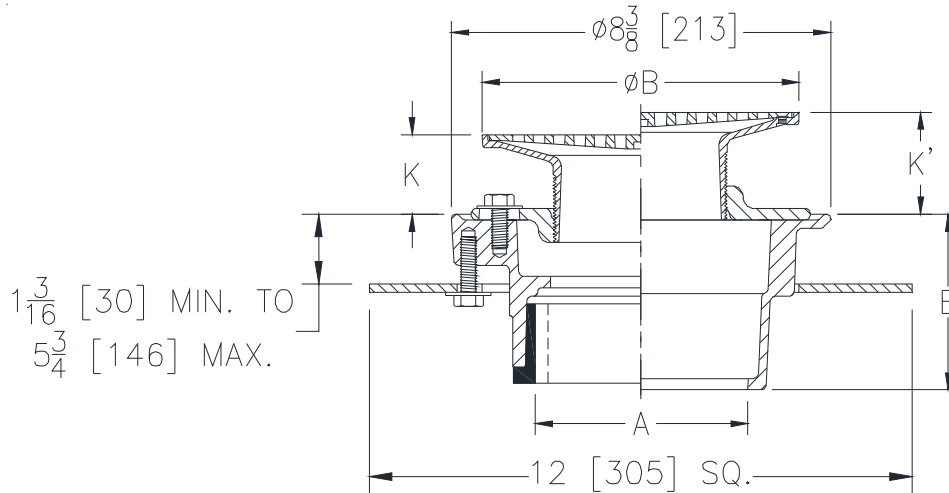
Z415B-128

BODY ASSEMBLY W/ "TYPE B" STRAINER AND UNDERDECK CLAMP

SPECIFICATION SHEET

TAG _____

Dimensional Data (inches and [mm]) are Subject to Manufacturing Tolerances and Change Without Notice



Dimensions in In [mm]						Approx. Wt. Lbs. [kg]	Strainer Open Area Sq. In. [cm ²]
A Pipe Size	B Strainer Dia.	K		K'			
		Min.	Max.	Min.	Max.		
2,3 [51,76]	5 [127]	1 [25]	1-1/2 [38]	1-3/32 [28]	2-1/4 [57]	11 [5]	6-1/4 [40]
2,3,4 [51,76,102]	6 [152]	1 [25]	1-25/32 [45]	1-13/32 [36]	2-17/32 [64]	13 [6]	9 [58]
2,3,4 [51,76,102]	7 [178]	1 [25]	2-1/8 [54]	1-23/32 [44]	2-7/8 [73]	14 [6]	12 [77]
3,4 [76,102]	8 [203]	1-5/32 [30]	2-1/8 [54]	1-3/4 [44]	2-7/8 [73]	16 [7]	19 [123]
6 [152]	8 [203]	1-5/32 [30]	2-1/8 [54]	1-3/4 [44]	2-7/8 [73]	18 [8]	19 [123]
6 [152]	10 [254]	1-7/16 [37]	2-1/2 [64]	2 [51]	3-1/4 [83]	22 [10]	23 [148]

ENGINEERING SPECIFICATION: ZURN ZN415B-128

Floor and shower drain, Dura-Coated cast iron body with bottom outlet, combination invertible membrane clamp, underdeck clamp, and adjustable collar with seepage slots and "TYPE B" polished nickel bronze strainer.

OPTIONS (Check/specify appropriate options)

PIPE SIZE

2,3,4 [51,76,102]
 2 [51]
 3 [76]
 4 [102]
 6 [152]
 2,3,4 [51,76,102]
 2,3,4 [51,76,102]

(Specify size/type) OUTLET

_____ IC Inside Caulk
 _____ IP Threaded
 _____ IP Threaded
 _____ IP Threaded
 _____ IP Threaded
 _____ NH No-Hub
 _____ NL Neo-Loc

'E' BODY HT. DIM.

4-3/16 [106]
 2-7/16 [62]
 2-3/4 [70]
 2-13/16 [71]
 2-7/8 [73]
 3-13/16 [97]
 3-7/8 [98]

PREFIXES

_____ ZB D.C.C.I. Body Assembly w/ Polished Bronze Top
 _____ ZN D.C.C.I. Body Assembly w/ Polished Nickel Bronze Top*

SUFFIXES

_____ -AA All Acid Resisting Epoxy
 _____ -CP Chrome-Plated Bronze Top
 _____ -G Galvanized Cast Iron
 _____ -HD Heavy-Duty Slotted Grate (ZN 5 [127] & 6 [152] Sizes Only)
 _____ -OF Oval Funnel (Z329-7) (6 - 10 [152 - 254] Strainers Only)
 _____ -P Trap Primer Connection (Specify 1/2 [13] or 3/4 [19])
 _____ -PC Protective Cover
 _____ -SA Z1035 Stabilizer Assembly (NH & NL Outlets only)
 _____ -SQ Z1035-Q Stabilizer Assembly (NH & NL Outlets only)
 _____ -SR Stabilizer Ring
 _____ -TC Neo-Loc Test Cap Gasket (2-4 [51-102] NL Outlet Only)
 _____ -U 1 - 3 [25 - 76] High Extension Adapter
 _____ -V Backwater Valve
 _____ -VP Vandal-Proof Secured Top
 _____ -Y Sediment Bucket
 _____ -4 4 [102] Diameter Funnel (Z328)
 _____ -90 90° Threaded Side Outlet Body Assembly (2 [51], 3 [76] Only)

* Regularly furnished unless otherwise specified.