



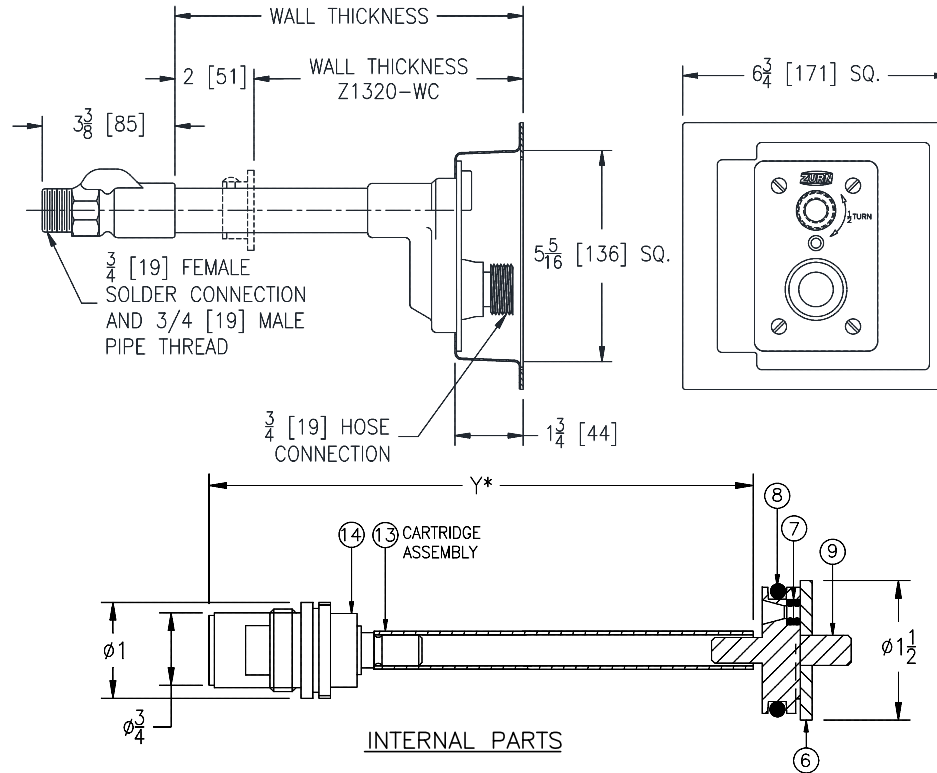
# Z1320-84

## ECOLOTROL CERAMIC DISC WALL HYDRANT

SPECIFICATION SHEET

Encased, Non-Freeze, Anti-Siphon, Automatic Draining, Less Cover TAG \_\_\_\_\_

Dimensional Data (inches and [ mm ]) are Subject to Manufacturing Tolerances and Change Without Notice



Wall Thickness Inches[mm]	Approx. Wt. Lbs. [kg]
6,8 [152,203]	5 [2]
10,12,14 [254,305,356]	6 [3]
16,18 [406,457]	7 [3]
20,22,24 [508,559,610]	8 [4]
26,30 [660,762]	10 [5]

### ENGINEERING SPECIFICATION: ZURN Z1320-84

Encased Ecolotrol "anti-siphon" automatic draining wall hydrant for flush installation. Complete with integral backflow preventer, copper casing, all bronze interior parts with 1/2 turn ceramic disc cartridge and combination 3/4" [19mm] female solder and 3/4" [19mm] male pipe thread inlet. Stainless steel box less cover. (All solder connections are lead free.)

Note: During normal operation, the hydrant may take as long as one minute to complete the self-draining process. This drainage feature should not be mistaken for an unsealed shut-off of the hydrant, and over-tightening of the operating coupling is not necessary.

### OPTIONS (Check/specify appropriate options)

#### SUFFIXES

___ -CL	Cylinder Lock
___ -NB	Polished Nickel Bronze Box
___ -PB	Polished Bronze Box
___ -RK	Hydrant Parts Repair Kit
___ -RT12	Ceramic Cartridge Removal Tool (Up to 12 [305] Wall)
___ -RT24	Ceramic Cartridge Removal Tool (Up to 24 [610] Wall)
___ -RT36	Ceramic Cartridge Removal Tool (Up to 36 [915] Wall)
___ -WC	Wall Clamp
___ -34EL	3/4 [19] IP 90° Solder Inlet Elbow
___ -34FIP	3/4 [19] IP Straight Female Inlet Adapter

#### PARTS LIST

Item	Name	Quan.
14	Cartridge	1
13	Operating Tube	1
9	Operating Coupling	1
8	'O' Ring	1
7	'O' Ring	2
6	Retaining Washer	1

\* Regularly furnished unless otherwise specified.