



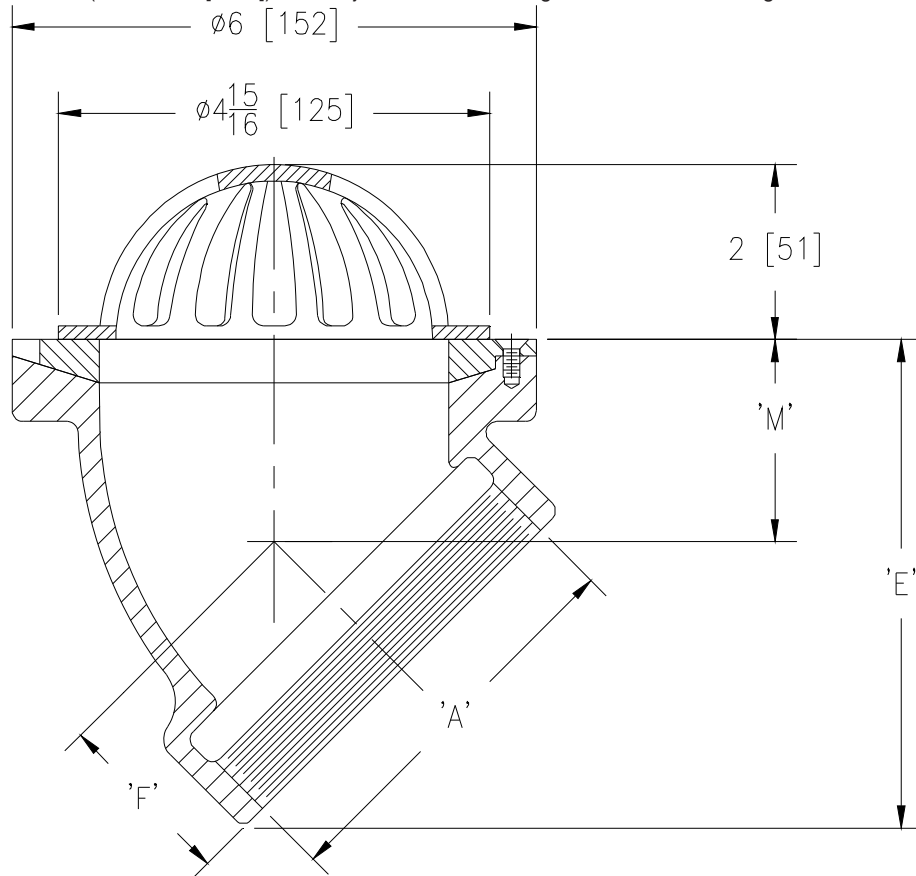
Z185-45

6 [152] DIAMETER CORNICE DRAIN W/ 45° OUTLET

SPECIFICATION SHEET

TAG _____

Dimensional Data (inches and [mm]) are Subject to Manufacturing Tolerances and Change Without Notice



Dimensions In Inches [mm]			Approx. Wt. Lbs. [kg]	Dome Open Area Sq. In. [cm ²]
'A' Pipe Size In.	'F'	'M'		
3 [76]	2-1/16 [52]	2-1/4 [57]	9 [4]	11 [71]
4 [102]	2-1/16 [52]	2-5/16 [59]		

ENGINEERING SPECIFICATION: ZURNZRB185-45 6" [152mm] Diameter cornice drain, Dura-Coated cast iron with 45° outlet body, plain bronze dome and membrane flashing clamp.

OPTIONS (Check/specify appropriate options)

PIPE SIZE

- 3 [76]
- 4 [102]

(Specify size/type) **OUTLET**

- ___ IP Threaded
- ___ IP Threaded

'E' BODY HT. DIM.

- 5 [127]
- 5-5/16 [135]

PREFIXES

- ___ ZRB D.C.C.I. Body with Plain Bronze Dome*
- ___ ZN D.C.C.I. Body with Polished Nickel Bronze Dome

SUFFIXES

- ___ -FS Flat Strainer (ZN Only)
- ___ -G Galvanized Cast Iron
- ___ -HD High Dome
- ___ -VP Vandal Proof Secured Top

* Regularly furnished unless otherwise specified.