



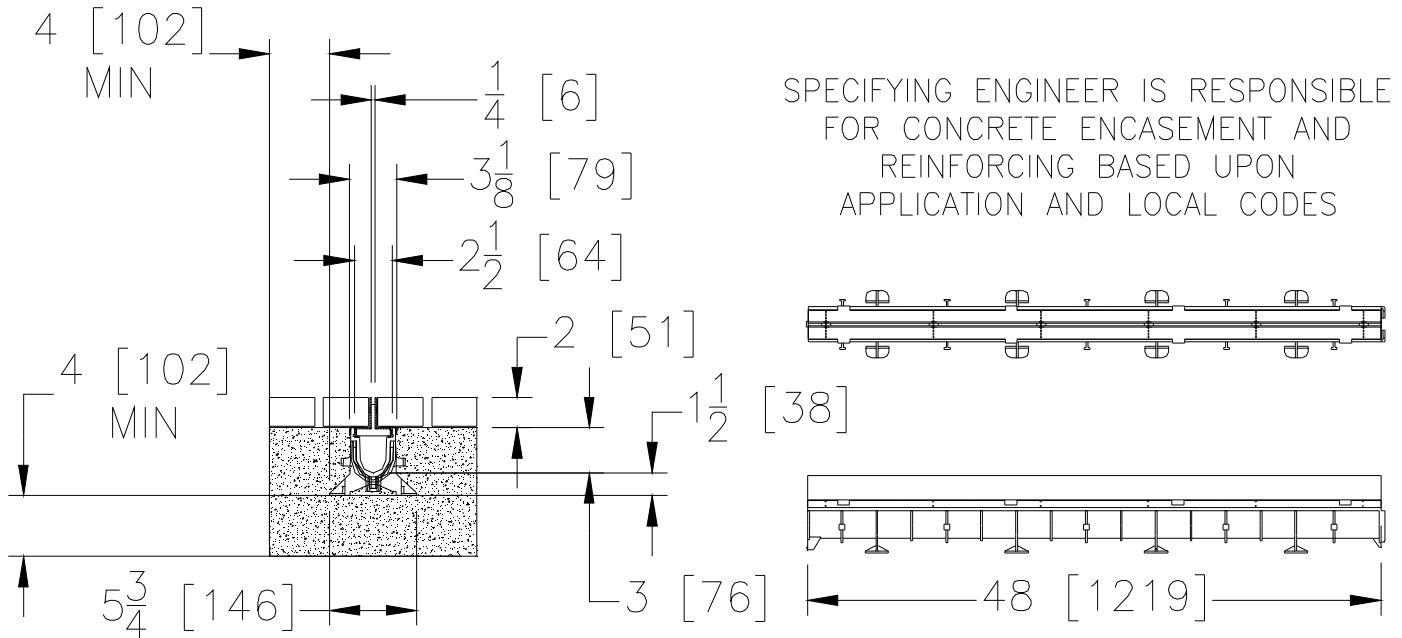
Z880-PVSS

1/4 [6] WIDE REVEAL TRENCH DRAIN SYSTEM
WITH PAVER SLOT GRATE

SPECIFICATION SHEET

TAG _____

Dimensional Data (inches and [mm]) are Subject to Manufacturing Tolerances and Change Without Notice



SPECIFYING ENGINEER IS RESPONSIBLE
FOR CONCRETE ENCASEMENT AND
REINFORCING BASED UPON
APPLICATION AND LOCAL CODES

ENGINEERING SPECIFICATION: Zurn Z880-PVSS

1/4" [6mm] Wide Trench Drain System shall be 48" [1220mm] long and 2-1/2" [63.5mm] wide. Drain shall be 3" [76mm] deep. Drain shall be made of (HDPE) High Density Polyethylene, and is UV-10 stabilized. Drain shall have bedding feet to be used for positioning and anchoring purposes. Drain shall have tongue and groove snap fit connection. Drain shall have 48" [1220mm] long Stainless Steel Paver Slot grate provided as standard.

PREFIX OPTIONS (Check/specify appropriate options)

Z Four-foot, Linear High Density Polyethylene (HPDE) Modular Drain Channel*

SUFFIX OPTIONS (Check/specify appropriate options)

Outlet Adapters Add/Each

- E1 Closed End Cap
- E1.5 1-1/2 [38] No-Hub End Outlet
- U1.5 1-1/2 [38] No-Hub Bottom Outlet

Grate Options (Load Classifications are per DIN EN1433)

-PVSS Stainless Steel Paver Slot - Class A

Miscellaneous Options

- C45 45 Degree Channel
- C90 90 Degree Channel

* Regularly furnished unless otherwise specified.