



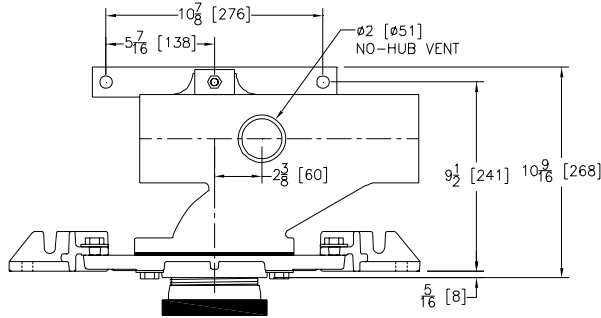
ZN1203-76

ADJUSTABLE HORIZONTAL SIPHON JET NO-HUB NARROW WALL W/ REAR ANCHOR TIE DOWN AND PREFAB FEET

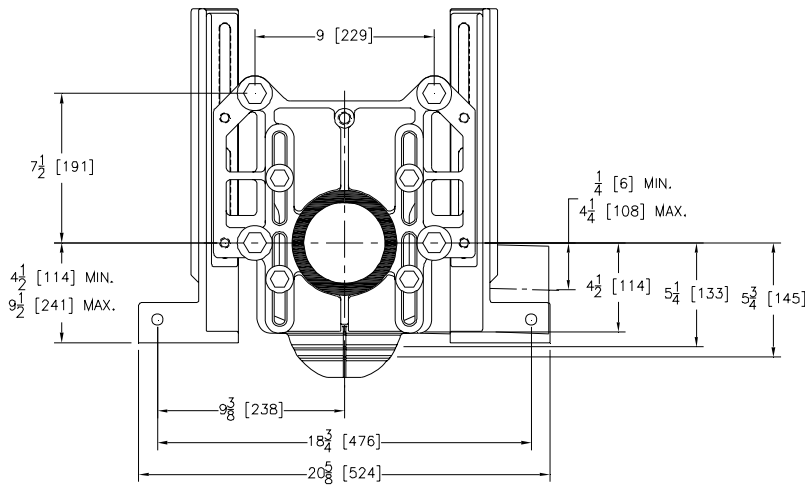
SPECIFICATION SHEET

TAG _____

Dimensional Data (inches and [mm]) are Subject to Manufacturing Tolerances and Change Without Notice



Product Number	Approx. Wt. Lbs. [kg]
ZN1203-NL4-76	67 [30]
ZN1203-NR4-76	



Note:

1. Feet bolted to floor using min. 1/2 [13] dia. bolts and back slots on carrier feet.
2. Back anchor foot required for secure installation.

ENGINEERING SPECIFICATION: ZURN ZN1203-N(-)76 Adjustable, horizontal siphon jet water closet "Rigid System" with 4 [102] No-Hub connections. Complete with Dura-Coated cast iron right hand, left hand, or double main fitting, with 2 [51] vent, adjustable gasketed chase saver faceplate, pre-fab foot supports, corrosion resistant adjustable ABS coupling with integral test cap, fixture bolts, trim, stud protectors, rear anchor tie down and bonded "Neo-Seal" gasket.

OPTIONS (Check/specify appropriate options)

ZN1203-NR4-76 4 [102] No-Hub Right Hand Inlet with Flow to Left for Narrow Wall
 ZN1203-NL4-76 4 [102] No-Hub Left Hand Inlet with Flow to Right for Narrow Wall

PREFIXES

- ___ Z D.C.C.I. System with Zurn "ZZ" Adjustable Coupling*
- ___ ZQ D.C.C.I. System with NPT Faceplate, Non-Adjustable Coupling

SUFFIXES

- ___ -B Blowout Type Fixture Support
- ___ -G Galvanized Cast Iron
- ___ -T Threaded Connection
- ___ -VP Vandal-Proof Trim
- ___ -50 Flush Valve Supply Support for Water Closets
- ___ -61 "ZZ" Coupling Wrench

*REGULARLY FURNISHED UNLESS OTHERWISE SPECIFIED

REV.	DATE: 6/25/08	C.N. NO. 98680
DWG. NO. P-15563		PRODUCT NO. ZN1203-76