



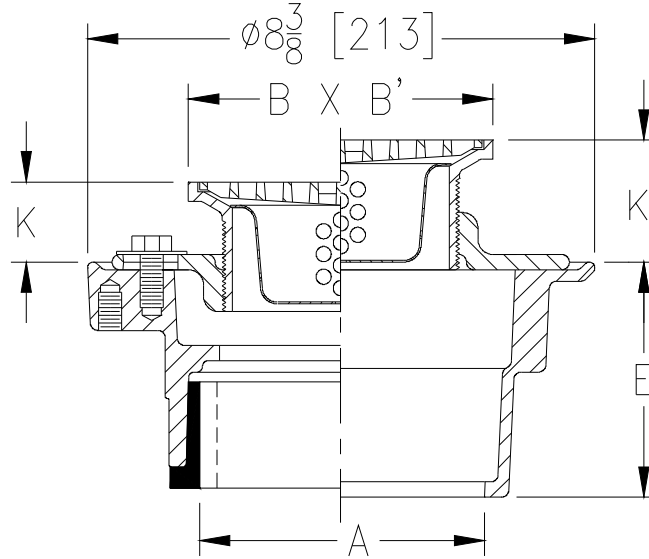
Z415S-Y

BODY ASSEMBLY W/ "TYPE S" STRAINER & SEDIMENT BUCKET

SPECIFICATION SHEET

TAG _____

Dimensional Data (inches and [mm]) are Subject to Manufacturing Tolerances and Change Without Notice



Dimensions in In [mm]						Approx. Wt. Lbs. [kg]	Strainer Open Area Sq. In. [cm ²]
A - Pipe Size	B x B Strainer Top Size	K		K'			
		Min.	Max.	Min.	Max.		
2,3 [51,76]	5 x 5 [127 x 127]	7/8 [22]	1-3/4 [44]	1-1/2 [38]	2-5/8 [67]	12 [5]	9 [58]
2,3,4 [51,76,102]	6 x 6 [152 x 152]	1 [25]	1-7/8 [48]	1-5/8 [41]	2-7/8 [73]	13 [6]	13 [84]
2,3,4 [51,76,102]	7 x 7 [178 x 178]	1-1/4 [32]	2-5/8 [67]	1-5/8 [41]	3-1/2 [89]	14 [6]	21 [135]
3,4 [76,102]	8 x 8 [203 x 203]	1-1/4 [32]	2-5/8 [67]	2 [51]	3-1/2 [89]	15 [7]	28 [181]
6 [152]	10 x 10 [254 x 254]	1-1/4 [32]	2-5/8 [67]	2 [51]	3-1/2 [89]	21 [10]	28 [181]

ENGINEERING SPECIFICATION: ZURN ZN415S-Y

Floor and shower drain, Dura-Coated cast iron body with bottom outlet, combination invertible membrane clamp and adjustable collar with "TYPE S" polished nickel bronze square strainer and sediment bucket.

OPTIONS (Check/specify appropriate options)

PIPE SIZE

(Specify size/type) **OUTLET**

'E' BODY HT. DIM.

2,3,4 [51,76,102]	_____ IC	Inside Caulk	4-3/16 [106]
2,3,4 [51,76,102]	_____ IG	Inside Gasket	4-3/16 [106]
2 [51]	_____ IP	Threaded	2-7/16 [62]
3 [76]	_____ IP	Threaded	2-3/4 [70]
4 [102]	_____ IP	Threaded	2-13/16 [71]
6 [152]	_____ IP	Threaded	2-7/8 [73]
2,3,4 [51,76,102]	_____ NH	No-Hub	3-13/16 [97]
2,3,4 [51,76,102]	_____ NL	Neo-Loc	3-7/8 [98]

PREFIXES

_____ ZB	D.C.C.I. Body Assembly w/Polished Bronze Top
_____ ZN	D.C.C.I. Body Assembly w/Polished Nickel Bronze Top*

SUFFIXES

_____ -AR	Acid Resisting Epoxy Coated Cast Iron	_____ -SQ	Stabilizer Q-deck (See Z1035-Q)
_____ -CP	Chrome-Plated Top	_____ -TC	Neo-Loc Test Cap Gasket (2,3,4 [51,76,102] NL Bottom Outlet Only)
_____ -G	Galvanized Cast Iron	_____ -U	1-3 [25-76] High Extension Adapter
_____ -HD	Heavy-Duty Slotted Grate (ZN 6 [150] Sizes Only)	_____ -VP	Vandal-Proof Secured Top
_____ -P	Trap Primer Connection (Specify 1/2 [13] or 3/4 [19])	_____ -90	2,3 [51,76] Side Outlet Body Assembly
_____ -PC	Protective Cover		
_____ -SA	Stabilizer Assembly (See Z1035)		

* Regularly furnished unless otherwise specified.

Zurn Industries, LLC | Specification Drainage Operation
 1801 Pittsburgh Avenue, Erie, PA U.S.A. 16502 · Ph. 855-663-9876, Fax 814-454-7929
 In Canada | Zurn Industries Limited
 3544 Nashua Drive, Mississauga, Ontario L4V 1L2 · Ph. 905-405-8272, Fax 905-405-1292
www.zurn.com

Rev. B
 Date: 10/11/2017
 C.N. No. 138573
 Prod. | Dwg. No. Z415S-Y