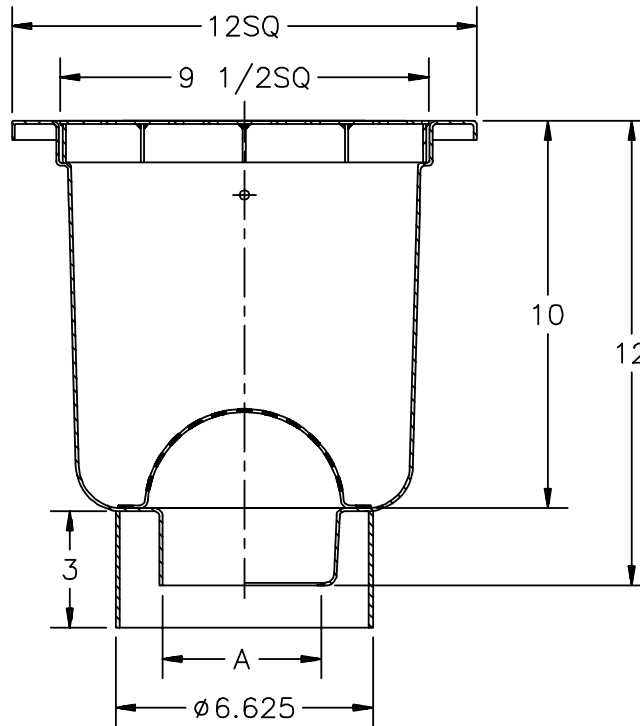




Z-1752-82 FLOOR DRAIN Medium Depth

TAG _____

Dimensional Data (inches and [mm]) are Subject to Manufacturing Tolerances and Change Without Notice



A- Pipe Size In.	Approx. Wt. Lbs.	Grate Open Area Sq. In.
2 - 3 - 4	22	21

ENGINEERING SPECIFICATION: ZURNZ-1752-82
 12" x 12" x 10" deep, #14 gage, All type 304 (CF8) Stainless Steel light duty Sani-Flor receptor with double containment wall outlet, non-tilt, loose set full grate with 1/2" square openings and anti-splash interior dome strainer.

OPTIONS (Check/specify appropriate options)

OUTLET

_____ **NH** Butt-weld

PIPE SIZE (Specify size)

_____ 2" thru 4"

'E' BODY HT. DIMENSION

12"

PREFIXES

_____ **Z-** Type 304 (CF8) Stainless Steel*

SUFFIXES

- _____ **-HD** Cast Stainless Steel Heavy Duty Top Frame and Slotted Grate (Add 1/2" to 'E' Dim.)
- _____ **-K** Seepage Pan
- _____ **-KC** Seepage Pan with Clamp Collar
- _____ **-P** 1/2" Trap Primer Connection
- _____ **-Y** Sediment Bucket
- _____ **-YS** Suspended Sediment Bucket
- _____ **-1** Less Grate
- _____ **-2** 1/2 Grate
- _____ **-3** 3/4" Grate
- _____ **-4** Full Grate with 3" Square Center Opening
- _____ **-5** Grate w/4" Dia. x 3-3/4" High 304 S.S. Oval Funnel
- _____ **-15** Solid Cover
- _____ **-16** 1/2 Solid Cover
- _____ **-17** 3/4" Solid Cover
- _____ **-18** Solid Cover w/3" Square Center Opening

*REGULARLY FURNISHED UNLESS OTHERWISE SPECIFIED

REV.	DATE: 3/15/93	C.N. NO. 68952
DWG. NO. P-13808 PRODUCT NO. Z-1752-82		