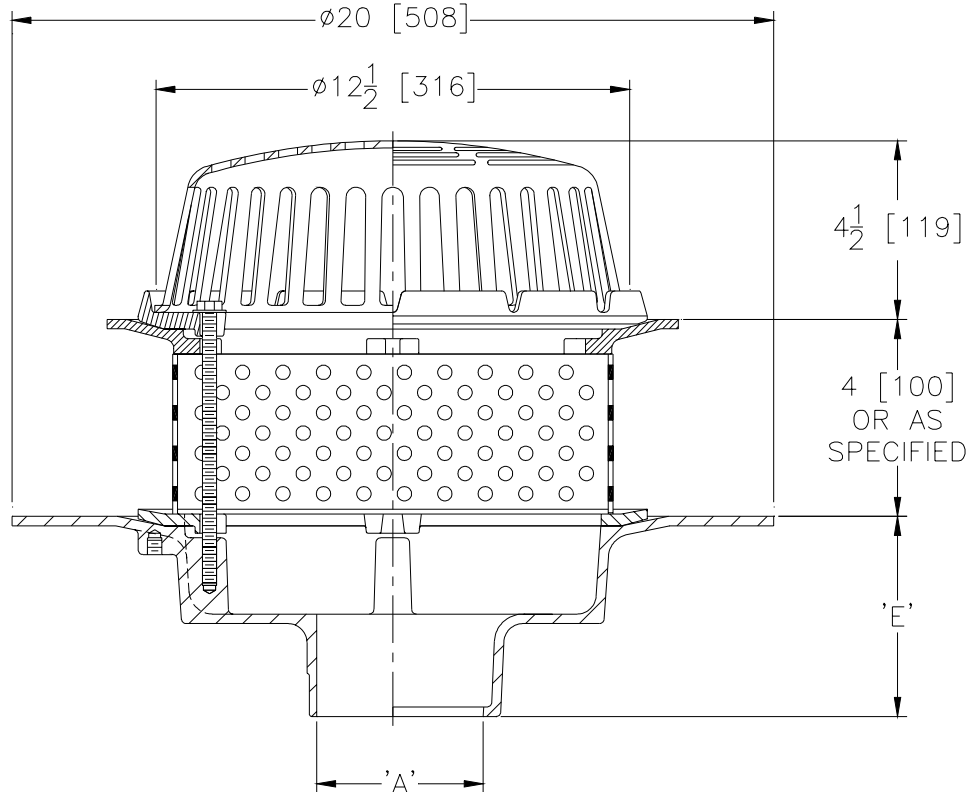




**20" [508] WIDE DECK FLANGE ROOF DRAIN
WITH PERFORATED EXTENSION
AND SECONDARY CLAMP COLLAR**

TAG _____

Dimensional Data (inches and [mm]) are Subject to Manufacturing Tolerances and Change Without Notice



| A- Pipe Size In. | Approx. Wt. Lbs. | Dome Open Area Sq. In. |
|------------------|------------------|------------------------|
| 3-4 [75-100] | 39 [18] | 103 [664] |
| 6-8 [152-203] | | |

ENGINEERING SPECIFICATION: ZURN Z-107-92
20" [508] Diameter wide deck flange roof drain. Dura-Coated cast iron body, clamping collar, secondary clamping collar, perforated extension and low silhouette Poly-Dome strainer.

OPTIONS (Check/specify appropriate options)

OUTLET (Specify type)

- _____ **IC** Inside Caulk
- _____ **NH** No-Hub

PIPE SIZE (Specify size)

- _____ 3", 4", 6" [75-100-152]
- _____ 3", 4", 6", 8" [75-100-152]

'E' BODY HT. DIMENSION

- _____ 5-1/4" [133]
- _____ 5-1/4" [133]

PREFIXES

- _____ **Z-** D.C.C.I. Body with Poly-Dome*
- _____ **ZA-** D.C.C.I. Body with Aluminum Dome
- _____ **ZC-** D.C.C.I. Body with Cast Iron Dome
- _____ **ZRB-** D.C.C.I. Body with Plain Bronze Dome

SUFFIXES

- _____ **-AC** Angular Underdeck Clamp
- _____ **-AR** Acid Resistant Epoxy Coated Finish
- _____ **-AW** 3/4"[19] to 4"[100] Adjustable Water Level Regulator (Previously Z-103-1)
- _____ **-BS** Bronze Mesh Screen Over Dome
- _____ **-C** Underdeck Clamp
- _____ **-E** Static Extension 1"[25] thru 4"[100] (Specify Height)
- _____ **-EA** Adjustable Extension Assembly 1-3/4"[44] thru 3-1/2"[89]
- _____ **-FG** Flush Grate

- _____ **-G** Galvanized Cast Iron
- _____ **-GD** Galvanized Cast Iron Dome
- _____ **-HD** High Dome
- _____ **-SS** Stainless Mesh Screen Over Dome
- _____ **-VP** Vandal Proof Secured Top
- _____ **-W2** 2"[50] Internal Water Dam (Previously Z-103)
- _____ **-W3** 3"[75] Internal Water Dam " "
- _____ **-W4** 4"[100] Internal Water Dam " "
- _____ **-XJ** Vertical Expansion Joint (See Z-190)
- _____ **-84** Stainless Steel Perforated Gravel Guard
- _____ **-89** 2"[50] High External Water Dam

*REGULARLY FURNISHED UNLESS OTHERWISE SPECIFIED

| | | |
|-------------------------|-----------------------------|-----------------------|
| REV. _____ | DATE: <u>3/19/02</u> | C.N. NO. <u>88395</u> |
| DWG. NO. <u>P-14877</u> | PRODUCT NO. <u>Z-107-92</u> | |