



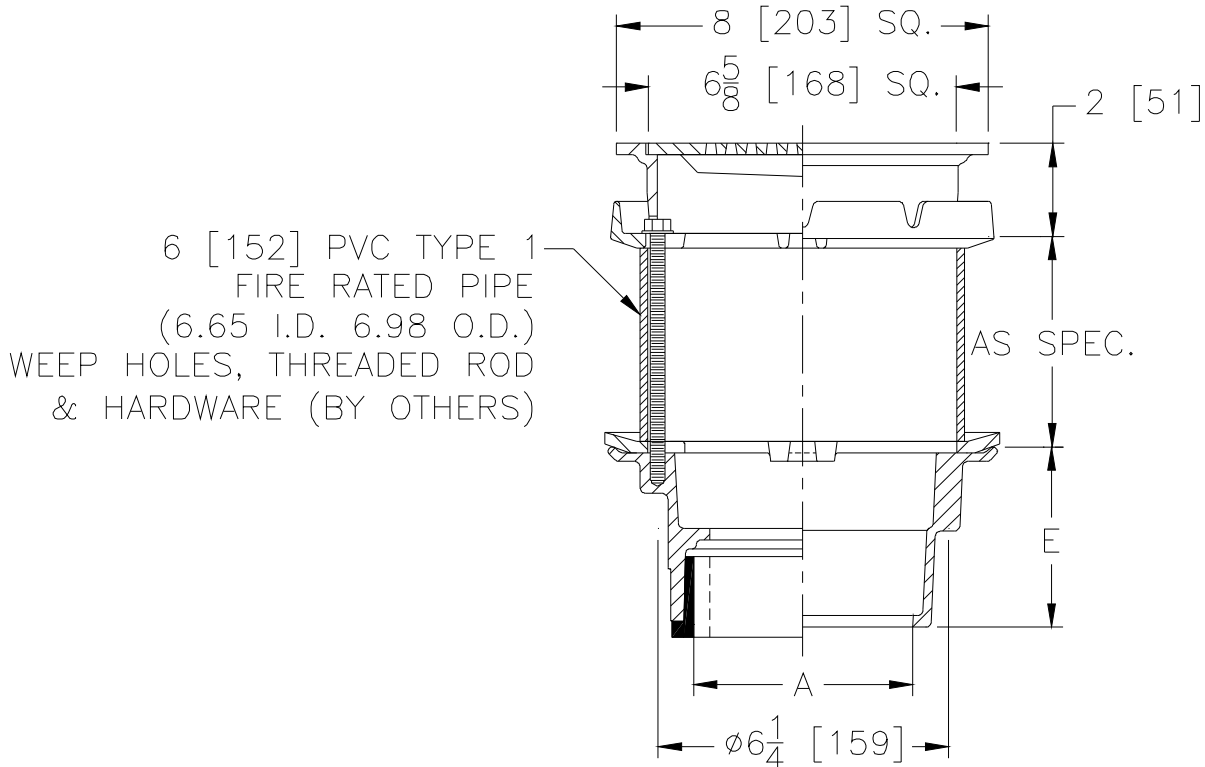
Z158-96

**8 [203] LIGHT-DUTY TOP PROM-DECK DRAIN
WITH PVC PIPE EXTENSION**

SPECIFICATION SHEET

TAG _____

Dimensional Data (inches and [mm]) are Subject to Manufacturing Tolerances and Changes Without Notice



| A- Pipe Size In. | Approx. Wt. Lbs. [kg] | Dome Open Area Sq. In. [cm ²] |
|-------------------|-----------------------|---|
| 2-3-4 [51-76-102] | 20 [9] | 11 [71] |

ENGINEERING SPECIFICATION: ZURN Z158-96

8 [203] Light-Duty Prom-Deck drain, Dura-Coated cast iron body with square promenade frame, PVC pipe extension and heel-proof grate with combination membrane flashing clamp/gravel guard.

OPTIONS (Check/specify appropriate options)

PIPE SIZE

- 2 thru 4 [51 thru 102]
- 2 thru 4 [51 thru 102]
- 2 thru 4 [51 thru 102]
- 2 thru 4 [51 thru 102]

(Specify size) **OUTLET**

- ___ IC Inside Caulk
- ___ IP Threaded
- ___ NH No-Hub
- ___ NL Neo-Loc

'E' BODY HT. DIM.

- 3 7/8 [98]
- 2 5/8 [67]
- 3 7/8 [98]
- 4 5/8 [117]

PREFIXES

- ___ Z D.C.C.I. Body with Grate*
- ___ ZB D.C.C.I. Body with Polished Bronze Grate
- ___ ZN D.C.C.I. Body with Polished Nickel Bronze Grate

SUFFIXES

- ___ -C Underdeck Clamp
- ___ -DG Duresist Grate (Z only)
- ___ -G Galvanized Cast Iron
- ___ -R Roof Sump Reciever
- ___ -SC Secondary Clamp Collar
- ___ -VP Vandal Proof Secured Top
- ___ -XJ Vertical Expansion Joint (See Z190)
- ___ -90 90° Threaded Side Outlet Body (2 thru 4 [51 or 102])

| | | |
|---|---------------------|-----------------------|
| REV. | DATE: 6/7/05 | C.N. NO. 93513 |
| DWG. NO. P-15159 PRODUCT NO. Z158-96 | | |

*REGULARLY FURNISHED UNLESS OTHERWISE SPECIFIED

ZURN INDUSTRIES, INC. ♦ SPECIFICATION DRAINAGE OPERATION ♦ 1801 Pittsburgh Ave. ♦ Erie, PA 16514

Phone: 814/455-0921 ♦ Fax: 814/454-7929 ♦ World Wide Web: www.zurn.com

In Canada: ZURN INDUSTRIES LIMITED ♦ 3544 Nashua Drive ♦ Mississauga, Ontario L4V1L2 ♦ Phone: 905/405-8272 Fax: 905/405-1292