



Z1900-RL-77

12 x 12 x 6 [305 x 305 x 152] REPLACEMENT FLOOR SINK LINER W/ 16 [406] TAILPIECE

SPECIFICATION SHEET

TAG _____

Dimensional Data (inches and [mm]) are Subject to Manufacturing Tolerances and Change Without Notice

ENGINEERING SPECIFICATION: ZURN Z1900-RL-77

12" x 12" x 6" [305mm x 305mm x 152mm] Deep, 18 gage, all Type 304 (CF8) fabricated stainless steel replacement floor sink liner, with 10-5/16" [262mm] tailpiece, internal pipe gasket seal, light-duty slotted, loose set grate and perforated removable dome strainer.

Approx. Wt. Lbs. [kg]	Grate Open Area Sq. In. [cm ²]
6 [3]	21.1 [136]

OPTIONS (Check/specify appropriate options)

PIPE SIZE 'A'

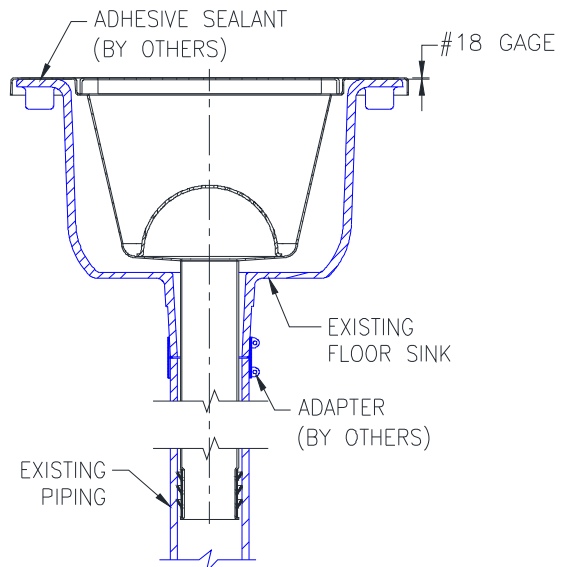
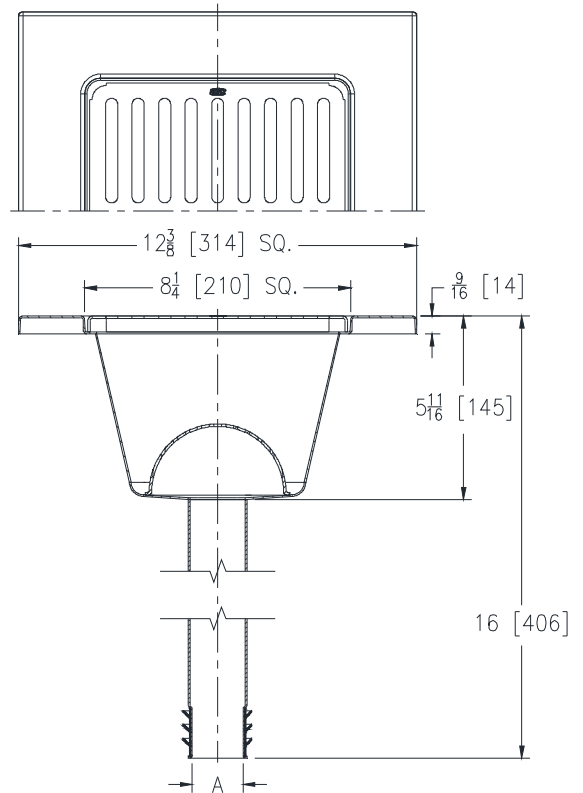
2, 3, 4 [51, 76, 102]

PREFIXES

___ Z All Type 304 (CF8) Fabricated Stainless Steel*

SUFFIXES

- ___ -1 Less Grate
- ___ -2 1/2 Grate
- ___ -3 3/4 Grate
- ___ -Y Sediment Bucket



* Regularly furnished unless otherwise specified.