



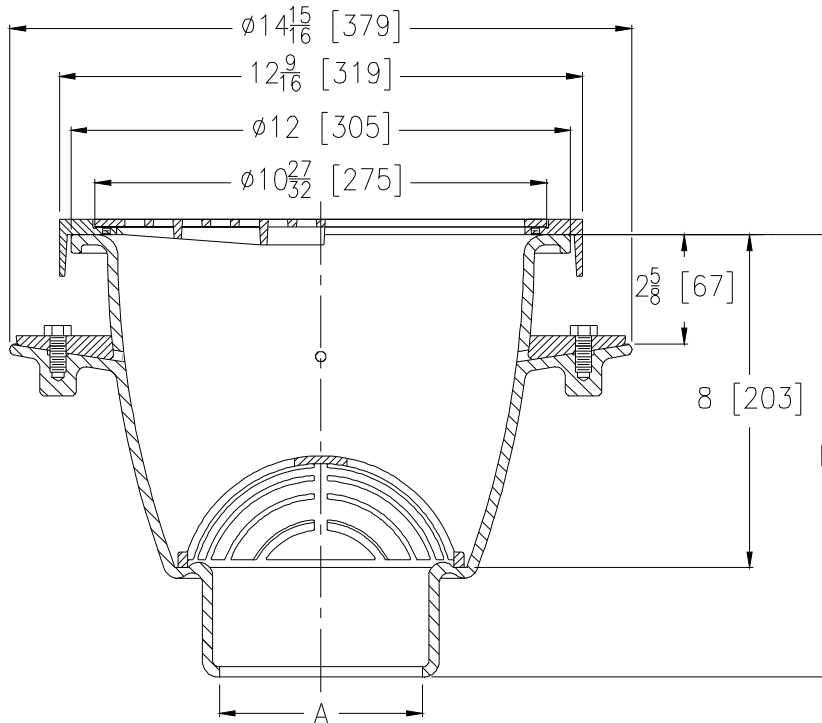
ZN1950-KC-2

12 [305] DIAMETER A.R.E. SANI-FLOR RECEPTOR 8 [203]
SUMP DEPTH W/ NICKEL BRONZE FRAME & 1/2 GRATE,
ANCHOR FLANGE AND CLAMPING COLLAR

SPECIFICATION SHEET

TAG _____

Dimensional Data (inches and [mm]) are Subject to Manufacturing Tolerances and Change Without Notice



A- Pipe Size In. [mm]	Approx Wt. Lbs. [kg]	Grate Open Area Sq. In. [cm ²]
2, 3, 4 [51, 76, 102]	35 [15]	22 [142]

ENGINEERING SPECIFICATION: ZURN ZN1950-KC-2

Sani-Flor Receptor 12" [305mm] diameter x 8" [203mm] deep cast iron body featuring flange with seepage holes and clamping collar, round slotted light duty nickel bronze frame and 1/2 grate, with white acid resisting porcelain enamel interior and black ground enamel exterior coating. Complete with white ABS anti-splash interior bottom dome strainer.

OPTIONS (Check/specify appropriate options)

PIPE SIZE

3, 4 [76, 102]
2, 3, 4 [51, 76, 102]
2, 3, 4 [51, 76, 102]

(Specify size/type) OUTLET

___ IC Inside Caulk
___ NH No-Hub
___ NL Neo-Loc

'E' BODY HT. DIM.

11 [279]
11 [279]
10-3/8 [264]

PREFIXES

___ ZN Cast Iron Body with White A.R.E. Interior; 1/2 Grate with 1/4 [6] square openings*

SUFFIXES

___ -LD (Less) Internal Bottom Dome Strainer
___ -P 1/2 [13] Threaded Trap Primer Connection (See Z1023)
___ -TC Neo-Loc Test Cap Gasket
(2, 3, 4 [51, 76, 102] NL Bottom Outlet Only)
___ -11 Vandal-Proof Secured Grate
___ -23 Aluminum Bucket
___ -25 White A.R.C. Bucket
___ -31 Stainless Steel Mesh Liner for Bucket
___ -32 Aluminum Dome Strainer
___ -33 White A.R.C. Anti-Splash Bottom Dome Strainer

* Regularly furnished unless otherwise specified.

Zurn Industries, LLC | Specification Drainage Operation
1801 Pittsburgh Avenue, Erie, PA U.S.A. 16502 · Ph. 855-663-9876, Fax 814-454-7929
In Canada | Zurn Industries Limited
3544 Nashua Drive, Mississauga, Ontario L4V 1L2 · Ph. 905-405-8272, Fax 905-405-1292
www.zurn.com

Rev. A
Date: 10/16/2017
C.N. No. 138863
Prod. | Dwg. No. ZN1950-KC-2