



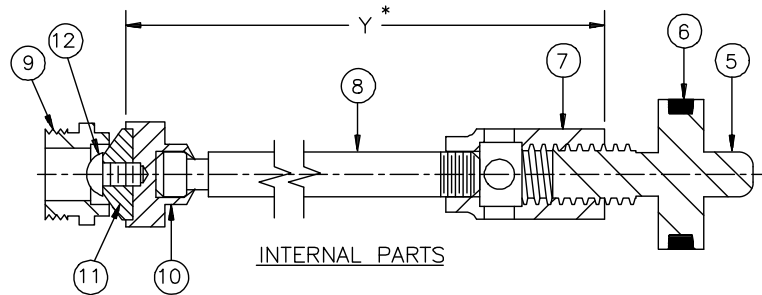
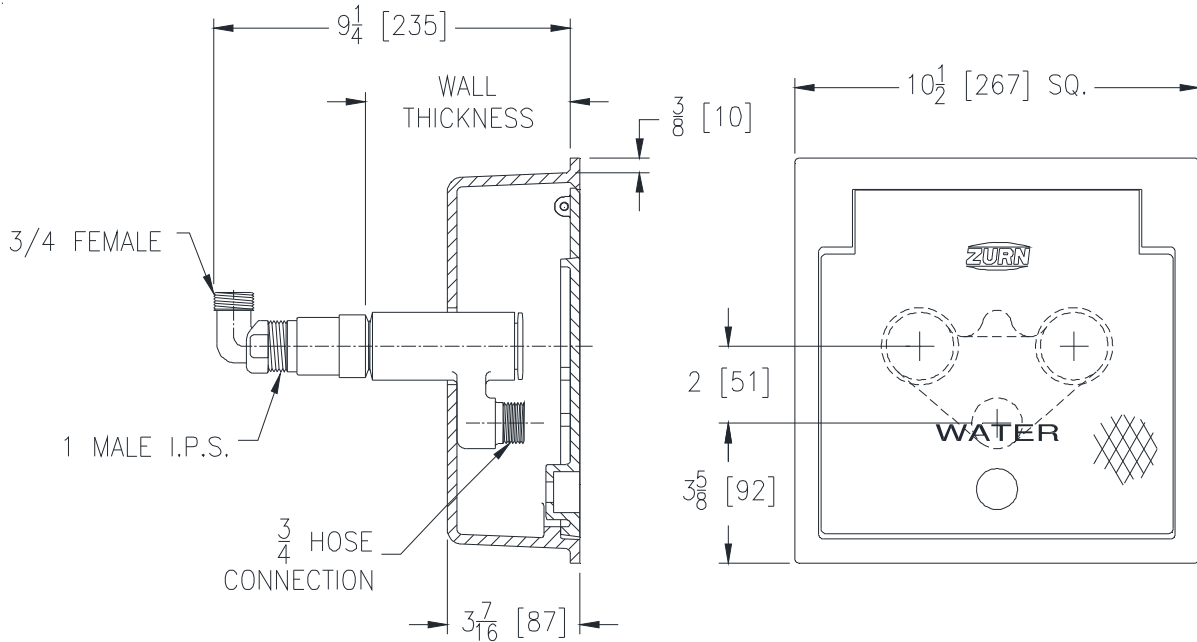
Z1325-78

NARROW WALL HYDRANT ENCASED, VARI-TEMP,
NON-FREEZE FOR 9 [229] WALL

SPECIFICATION SHEET

TAG _____

Dimensional Data (inches and [mm]) are Subject to Manufacturing Tolerances and Change Without Notice



Wall Thickness Inches [mm]	Approx. Wt. Lbs. [kg]
5-5/16 [135]	27 [12]

ENGINEERING SPECIFICATION: ZURN Z1325-78

"Vari-Temp" combination hot and cold water, non-freeze, encased wall hydrant for flush installation. Complete with bronze casing, all bronze interior parts, non-turning operating rods with free-floating compression closure valves, replaceable bronze seat and seat washer, and 1" male straight IP inlet with 3/4" IP 90° inlet elbow with union nut. Nickel bronze box and hinged cover with operating key lock and "WATER" cast on cover.

OPTIONS (Check/specify appropriate options)

SUFFIXES

- ___ -CL Cylinder Lock
- ___ -PB Polished Bronze Face
- ___ -RA4 24 [610] Replacement Rod Assembly
- ___ -RK Hydrant Parts Repair Kit
- ___ -VB 3/4 [19] Adapter Vacuum Breaker

PARTS LIST

Item	Name	Quan.
5	Operating Screw	1
6	O-Ring	1
7	Operating Coupling	1
8	Operating Rod	1
9	Removable Seat	1
10	Washer Guide	1
11	Washer (neoprene)	1
12	Screw	1

NOTE: When (-VB) vacuum breaker suffix is specified, the vacuum breaker must be manually tripped at the end of usage to facilitate drainage of the hydrant and maintain the non-freeze feature.

* Regularly furnished unless otherwise specified.