

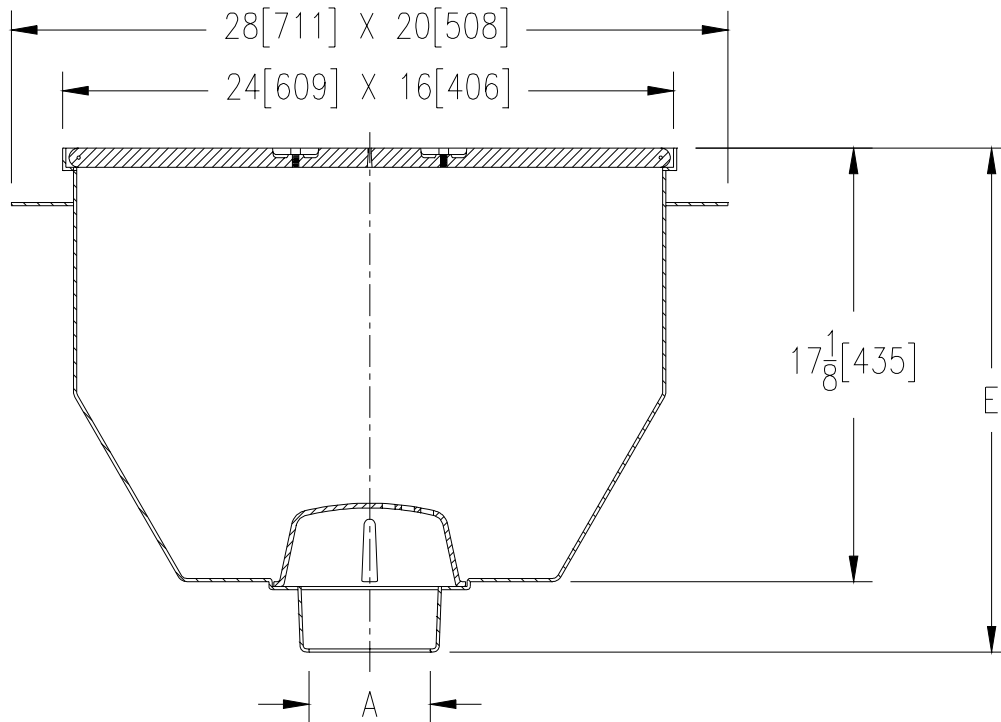


Z-1995-80

24" X 16" [609 X 406] A.R.C. SANI-FLOOR
RECEPTOR 17" [432] SUMP DEPTH

TAG _____

Dimensional Data (inches and [mm]) are Subject to Manufacturing Tolerances and Change Without Notice



A- Pipe Size In.	Approx Wt. Lbs. [kg]
3-4-6 [75-100-150]	250 [113]

ENGINEERING SPECIFICATION: ZURN Z-1995-80 Sani-Floor Receptor 24 x 16 x 17 [609 x 406 x 432] deep fabricated steel body with integral anchor flange and split rectangular hinged solid cover with recessed lift rings, complete with aluminum anti-splash interior bottom dome strainer.

OPTIONS (Check/specify appropriate options)

PIPE SIZE	(Specify size/type) OUTLET		'E' BODY HT. DIMENSION	
	Z	ZN	Z	ZN
3, 4, 6 [75, 100, 150]	___ IC	Inside Caulk	19 3/4 [502]	20 [508]

PREFIXES

- ___ Z- Acid Resistant Coated Fabricated Steel Body with White A.R.C. Interior*
- ___ ZN- Acid Resistant Coated Fabricated Steel Body with White A.R.C. Interior, 16 3/8 x 24 3/8 [416 x 619] N.B. Frame and Full Grate with 1/4 [6] Square Openings (Add 3/8 [10] to 16 x 24 [406 x 610] and 3/16 [5] to 'E' Dim.)

SUFFIXES

- | | | | |
|---------|--|---------|--|
| ___ -C | Clamp Collar | ___ -6 | Grate w/6 [152] dia. x 6 [152] High Funnel |
| ___ -LD | (Less) Internal Bottom Dome Strainer | ___ -7 | Grate w/6 3/4 x 3 x 1 [171 x 76 x 25] High Oval Funnel |
| ___ -P | 1/2 Threaded Trap Primer Connection (See Z-1023) | ___ -8 | Grate w/8 7/8 x 3 5/8 x 3 3/4 [225 x 92 x 95] High Oval Funnel |
| ___ -SM | Special Marking Stamped on Top | ___ -25 | White A.R.E. Bucket |
| ___ -1 | (Less) Grate | ___ -31 | Stainless Steel Mesh Liner for Bucket |
| ___ -2 | 1/2 Grate | ___ -33 | White A.R.E. Anti-Splash Bottom Dome Strainer |
| ___ -3 | 3/4 Grate | | |
| ___ -4 | Full Grate With 2 [51] Square Opening | | |
| ___ -5 | Grate w/4 [102] dia. x 3 3/4 [95] High Funnel | | |

REV.	DATE: 07/18/96	C.N. NO. 75361
DWG. NO. P-14353 PRODUCT NO. Z-1995-80		

*REGULARLY FURNISHED UNLESS OTHERWISE SPECIFIED