



Z125-114

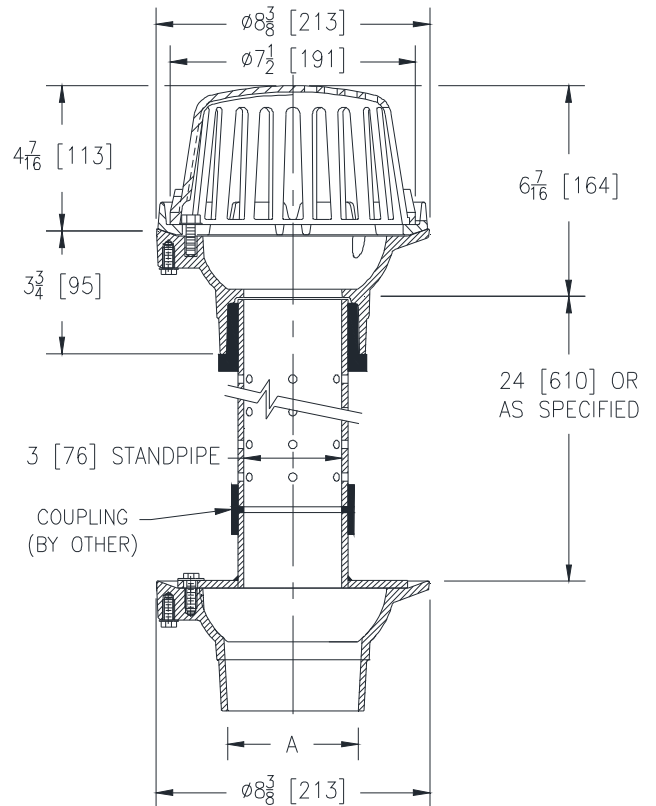
Ø8-3/8 [213] MAIN ROOF W/ Ø3 [76] PERFORATED STANDPIPE & Z125 UPPER ASSEMBLY

SPECIFICATION SHEET

TAG _____

Dimensional Data (inches and [mm]) are Subject to Manufacturing Tolerances and Change Without Notice

A- Pipe Size In.[mm]	Approx. Wt. Lbs. [kg]	Dome Open Area Sq. In. [cm ²]
2,3,4 [51,76,102]	28 [13]	43 [277]



ENGINEERING SPECIFICATION: ZURNZ125-114

Ø8-3/8" [213mm] roof drain. Dura-Coated cast iron body, with membrane flashing clamp, Ø3 [76] PVC perforated standpipe and Z125 upper assembly.

OPTIONS (Check/specify appropriate options)

PIPE SIZE

2,3,4 [51,76,102]
 2 [51]
 3 [76]
 4 [102]
 2,3,4 [51,76,102]
 2,3,4 [51,76,102]

(Specify size/type) OUTLET

____ IC Inside Caulk
 ____ IP Threaded
 ____ IP Threaded
 ____ IP Threaded
 ____ NH No-Hub
 ____ NL Neo-Loc

'E' BODY HT. DIM.

3-7/8 [98]
 2-7/16 [62]
 2-3/4 [70]
 3 [76]
 4 [102]
 3-13/16 [97]

PREFIXES

____ Z D.C.C.I. Body with Poly-Dome (4-1/4 [108] Dome Height)*
 ____ ZA D.C.C.I. Body with Aluminum Dome (4-1/4 [108] Dome Height)
 ____ ZC D.C.C.I. Body with Low Silhouette Cast Iron Dome
 ____ ZRB D.C.C.I. Body with Plain Bronze Dome (3-1/4 [83] Dome Height)

SUFFIXES

____ -AR Acid Resistant Epoxy Coated
 ____ -BS Bronze Mesh Screen Over Dome
 ____ -C Underdeck Clamp (Lower Body)
 ____ -DP Top Set®Roof Deck Plate (Lower Body)
 ____ -E Static Extension (Specify Height)
 ____ -G Galvanized Cast Iron
 ____ -R Roof Sump Receiver (Lower Body)
 ____ -SC Secondary Clamping Collar
 ____ -SM S.S. Mesh over Standpipe
 ____ -SS Stainless Mesh Screen Over Dome
 ____ -VP Vandal Proof Secured Dome
 ____ -XJ Vertical Expansion Joint (See Z190)
 ____ -90 90° Threaded Side Outlet Body (2,3,4,5,6 [51,76,102,127,152])

* Regularly furnished unless otherwise specified.