



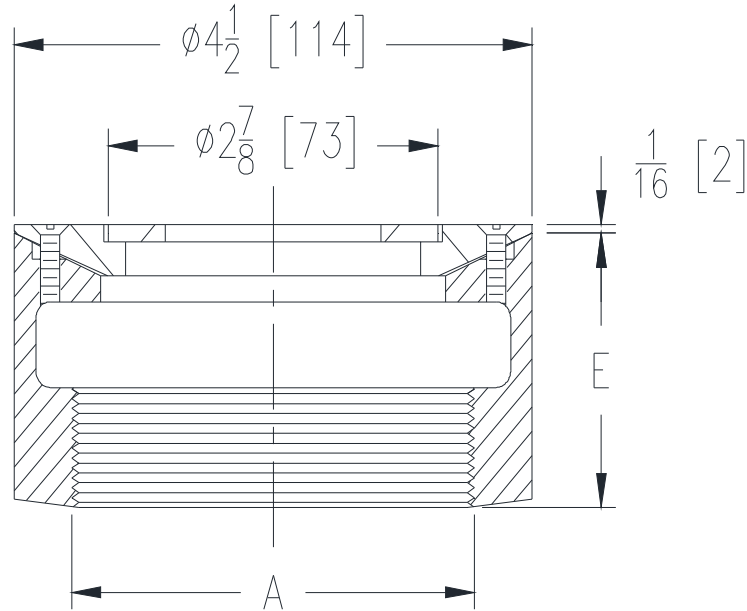
# Z180-FS

4-1/2 [114] DIAMETER CORNICE DRAIN W/  
FLAT STRAINER

SPECIFICATION SHEET

TAG \_\_\_\_\_

Dimensional Data (inches and [ mm ]) are Subject to Manufacturing Tolerances and Change Without Notice



A Pipe Size In. [mm]	Approx. Wt. Lbs. [kg]	Strainer Open Area Sq. In. [cm <sup>2</sup> ]
2, 3 [51, 76]	5 [2]	2.3 [15]

**ENGINEERING SPECIFICATION: ZURNZN180-FS**  
4-1/2" [114mm] Diameter x 2" [51mm] high cornice drain, Dura-Coated cast iron body, flat strainer, and membrane flashing clamp .

**OPTIONS** (Check/specify appropriate options)

**PIPE SIZE**

2, 3 [51, 76]  
2, 3 [51, 76]

(Specify size/type) **OUTLET**

\_\_\_ IP Threaded  
\_\_\_ NH No-Hub (IP w/Z1040)

**'E' BODY HT. DIM.**

2 [51]  
4-1/2 [114]

**PREFIXES**

\_\_\_ ZN D.C.C.I. Body Assembly w/Polished Nickel Bronze Top\*

**SUFFIXES**

\_\_\_ -G Galvanized Cast Iron  
\_\_\_ -VP Vandal-Proof Secured Top

\* Regularly furnished unless otherwise specified.