



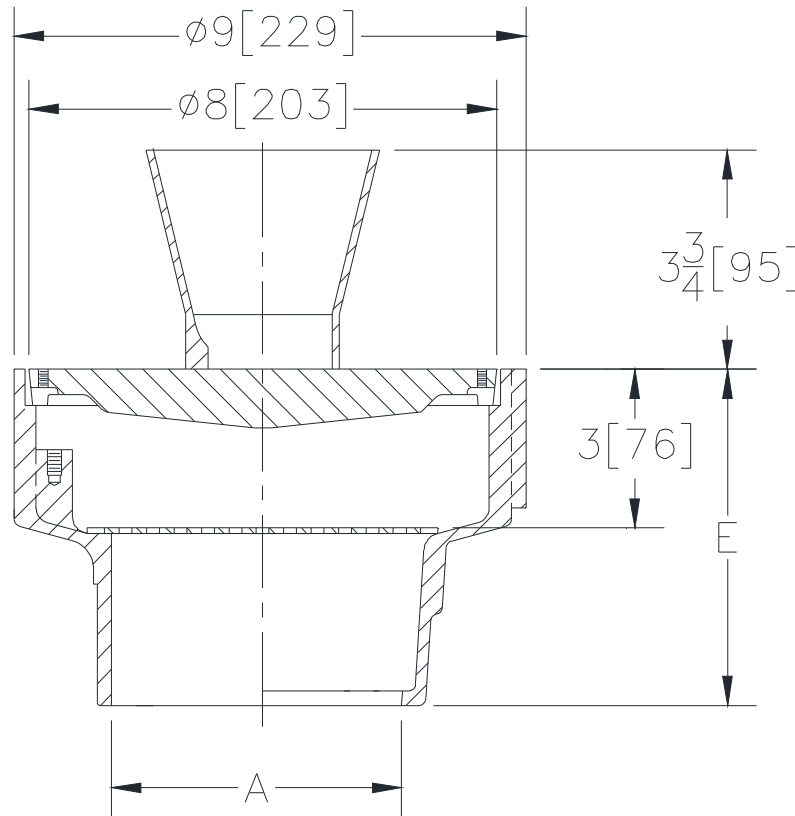
# Z1970-79

9 [229] DIAMETER SHALLOW A.R.C. SANI-FLOR  
RECEPTOR 3 [76] SUMP DEPTH W/  
4 [102] DIAMETER X 3-3/4 [95] HIGH FUNNEL AND  
SOLID GRATE

SPECIFICATION SHEET

TAG \_\_\_\_\_

Dimensional Data (inches and [ mm ]) are Subject to Manufacturing Tolerances and Change Without Notice



A Pipe Size In. [mm]	Approx Wt. Lbs. [kg]	Grate Open Area Sq. In. [cm <sup>2</sup> ]
2,3,4 [51,76,102]	16 [7]	18 [116]

**ENGINEERING SPECIFICATION: ZURNZ1970-5**

Sani-Flor Receptor 9" [229mm] diameter x 3" [76mm] deep cast iron body and round solid medium duty grate with 4" [102mm] dia. x 3-3/4" [95mm] high funnel, with white acid resisting coated interior and top, complete with brass secondary strainer.

**OPTIONS** (Check/specify appropriate options)

**PIPE SIZE**

(Specify size/type) **OUTLET**

**'E' BODY HT. DIMENSION**

2,3,4 [51,76,102]  
2,3,4 [51,76,102]

\_\_\_ NH No-Hub  
\_\_\_ NL Neo-Loc

**Z**                      **ZN**  
5-3/4 [146]              6 [152]  
4-7/8 [124]              5-1/8 [130]

**PREFIXES**

- \_\_\_ Z Cast Iron Body with White A.R.C. Interior\*
- \_\_\_ ZN Cast Iron Body with White A.R.C. Interior, 9 [229] Round Nickel Bronze Frame and Full Slotted Grate

**SUFFIXES**

- \_\_\_ -K Anchor Flange with Seepage Holes
- \_\_\_ -KC Anchor Flange with Seepage Holes and Clamp Collar
- \_\_\_ -P 1/2 [13] Trap Primer Connection
- \_\_\_ -TC Neo-Loc Test Cap Gasket (2,3,4 [51,76,102] NL Outlet Only)
- \_\_\_ -11 Vandal Proof Secured Grate
- \_\_\_ -25 White A.R.C. Bucket
- \_\_\_ -31 Stainless Steel Mesh Liner for Bucket

\* Regularly furnished unless otherwise specified.