



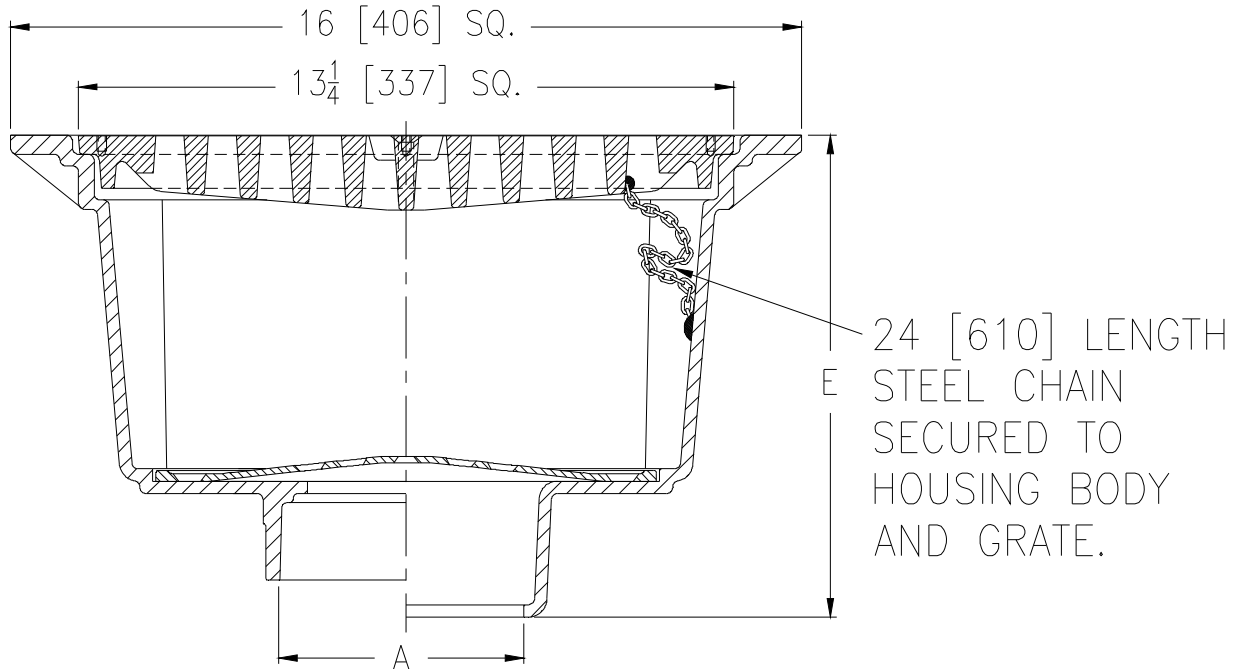
# Z568-77

SPECIFICATION SHEET

TAG \_\_\_\_\_

## 16 [406] SQ. TOP DRAIN W/ CHAINED GRATE

Dimensional Data (inches and [ mm ]) are Subject to Manufacturing Tolerances and Change Without Notice



A Pipe Size Inches	Approx. Wt. Lbs. [kg]
3-4-6 [76-102-152]	80 [36]

**ENGINEERING SPECIFICATION: ZURN Z568-77**

16 [406] Square Top Drain, Dura-Coated cast iron body with bottom outlet, loose set cast iron secondary strainer and cast iron chained heavy-duty grate.

**OPTIONS** (Check/specify appropriate options)

**PIPE SIZE**

- 3, 4, 6 [76, 102, 152]
- 3, 4, 6 [76, 102, 152]
- 3 [76]
- 4, 6 [102, 152]
- 3, 4 [76, 102]

(Specify size/type) **OUTLET**

- \_\_\_ IC Inside Caulk
- \_\_\_ IG Inside Gasket
- \_\_\_ IP Threaded
- \_\_\_ IP Threaded
- \_\_\_ NL Neo-Loc

**'E' BODY HT. DIM.**

- 9-3/4 [248]
- 9-3/4 [248]
- 7-7/8 [200]
- 8-1/8 [206]
- 9 [229]

**PREFIXES**

- \_\_\_ Z D.C.C.I. Body and Top\*
- \_\_\_ ZB D.C.C.I. Body with Polished Bronze Top (Add 3/16 [5] to 'E' Dim.)
- \_\_\_ ZN D.C.C.I. Body with Polished Nickel Bronze Top (Add 3/16 [5] to 'E' Dim.)

**SUFFIXES**

- \_\_\_ -AR Acid Resisting Epoxy Coated Cast Iron
- \_\_\_ -BT Bell Trap Bucket (4 and 6 [102 and 152] Sizes Only)
- \_\_\_ -G Galvanized Cast Iron
- \_\_\_ -K Flange with Seepage Holes
- \_\_\_ -KC Flange with Seepage Holes with Clamp Collar
- \_\_\_ -TC Neo-Loc Test Cap Gasket (3 [76] - 4 [102] NL Bottom Outlet Only)
- \_\_\_ -WS Wide Slotted Grate (Open area 105 sq. in. [677cm<sup>2</sup>])
- \_\_\_ -Y Sediment Bucket

REV.	DATE: 08/17/12	C.N. NO. 124665
DWG. NO. 310299	PRODUCT NO. Z568-77	

\*REGULARLY FURNISHED UNLESS OTHERWISE SPECIFIED