



ZE1201-N_4-77

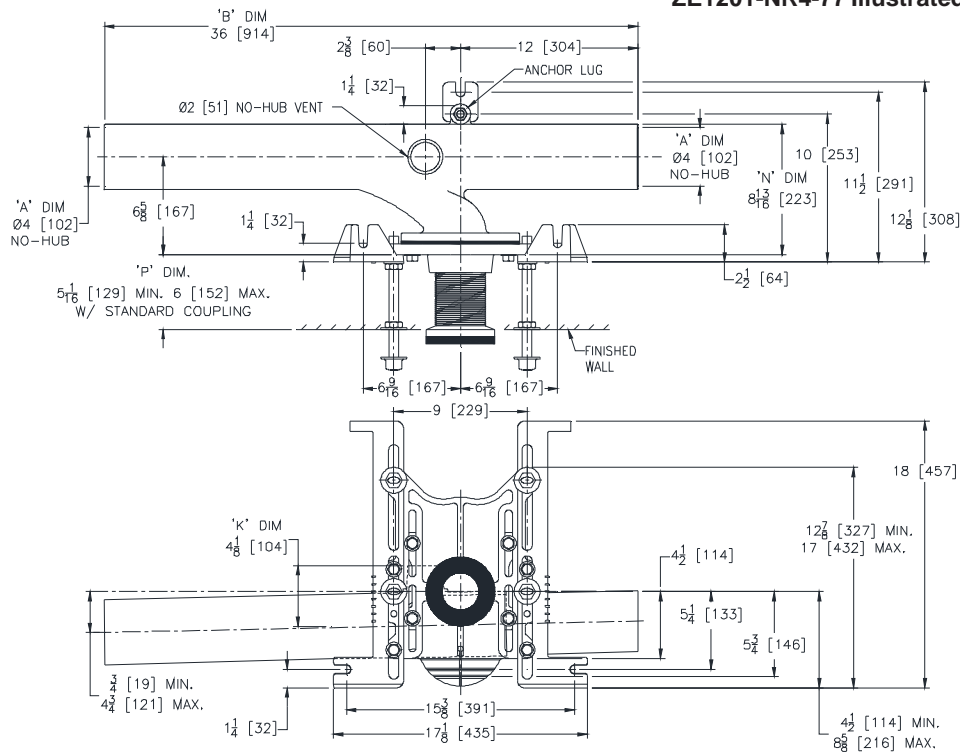
EZCARRY® ADJUSTABLE HORIZONTAL SIPHON JET NO-HUB WATER CLOSET CARRIER SYSTEM WITH 36 [914] ELONGATED FITTING

SPECIFICATION SHEET

TAG _____

Dimensional Data (inches and [mm]) are Subject to Manufacturing Tolerances and Change Without Notice

ZE1201-NR4-77 Illustrated



Product Number	Approx. Wt. lbs [kg]
ZE1201-NL4-77	97 [44]
ZE1201-NR4-77	

Note:

1. ZZ coupling, Min. 'P' Dim. Obtainable=2 [51]. EZ-Set™ Coupling, Min. 'P' Dim. Obtainable=4-1/4 [108] or 2-1/16 [52] for 12 [305] NPT.
2. Feet bolted to floor using min. 1/2 [13] dia. anchors.
3. Rear anchor foot required for secure installation.

ENGINEERING SPECIFICATION: ZURN ZE1201-N_4-77

EZCarry® horizontal siphon jet water closet carrier system, 4" [102 mm] no-hub connections, 36" [914 mm] elongated barrel, and 2" [51 mm] vent. Corrosion resistant, adjustable 3" [76 mm] diameter X 6" [152 mm] coupling with integral test cap, and labor saving "Neo-Seal" bonded gasket. Complete system includes an adjustable, gasketed faceplate; floor mounted foot supports with top anchoring pre-fab support base; heavy-duty 1/2" [13 mm] rear anchor tie down; fixture bolts, trim, and stud protectors. EZCarry® narrow wall system complies with all applicable requirements of ASME A112.6.1M up to a 500 lbs [227 kg] maximum static load.

OPTIONS (Check/specify appropriate options)

- ____ ZE1201-NL4-77 4 [102] No-Hub Elongated Left Hand Inlet with Flow to Right
- ____ ZE1201-NR4-77 4 [102] No-Hub Elongated Right Hand Inlet with Flow to Left

PREFIXES

- ____ ZE D.C.C.I. System with Zurn ZZ Adjustable Coupling*
- ____ ZQE D.C.C.I. System with NPT Faceplate, Non-Adjustable Coupling

SUFFIXES

- | | | | |
|----------|---|-------------|---|
| ____ -A | Auxiliary Support Assembly (For 'P' Dim. Greater than 18 [457]) | ____ -F | Floor Mounted, Back Outlet Fixture Support |
| ____ -CC | Corrosion Resistant Cast Iron Coupling (2-1/4 to 12 [57 to 305]) | ____ -G | Galvanized Cast Iron Auxiliary Foot Support (for 'P' Dim. 7 thru 18 [178 thru 457]) |
| ____ -CE | EZ-Set™ Coupling (NPSM 6 [152], 12 [305] or custom) (NPT 12 [305] or custom) | ____ -M | One Piece Unistrut Pre-Fab Foot |
| ____ -CL | Custom Length Standard Coupling with Integral Test Cap (Specify Length 4, 8, 10, 12 [102, 203, 254, 305]) | ____ -RYK17 | Vandal-Proof Trim |
| ____ -CS | 2-1/4 [57] Polymer Coupling with Integral Test Cap (ZZ Coupling Only) | ____ -VP | Finishing Frame for Siphon Jet System |
| | | ____ -45 | Flush Valve Supply Support for Water Closets |
| | | ____ -50 | |

* Regularly furnished unless otherwise specified.