



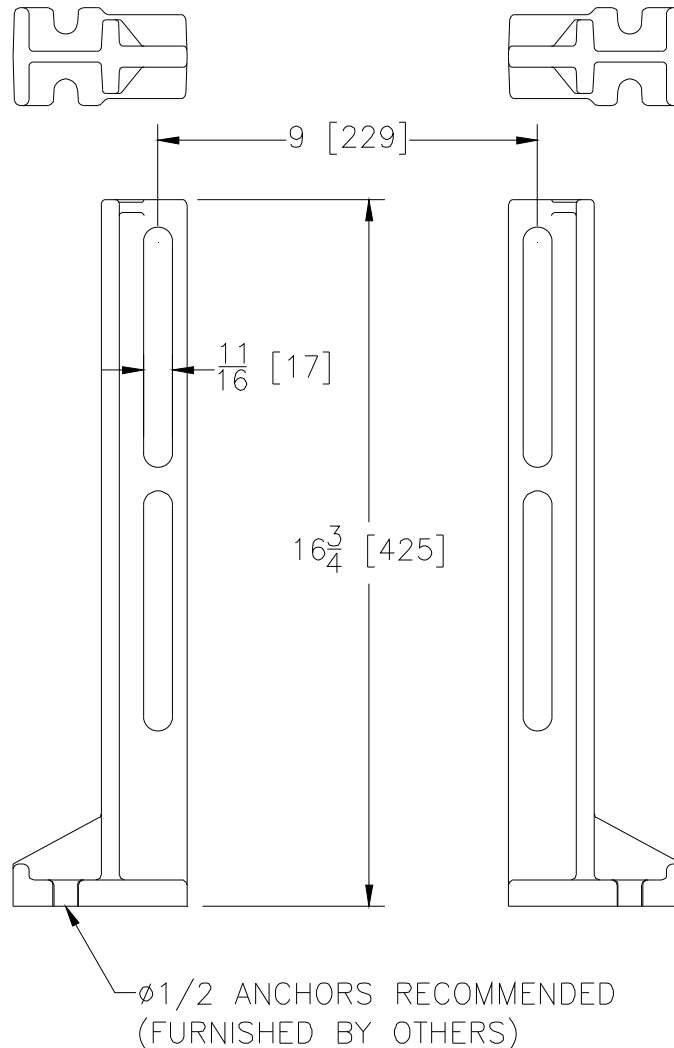
Z1200-AUX-FT-SPRT

AUXILIARY FOOT SUPPORT

SPECIFICATION SHEET

TAG _____

Dimensional Data (inches and [mm]) are Subject to Manufacturing Tolerances and Change Without Notice



ENGINEERING SPECIFICATION: ZURN Z1200-AUX-FT-SPRT

Dura-Coated cast iron floor mounted foot supports and support hardware. (For P-Dim. 10" [254mm] - 18" [457mm]. See Water Closet Carrier specification for reference)

* Regularly furnished unless otherwise specified.

Zurn Industries, LLC | Specification Drainage Operation
1801 Pittsburgh Avenue, Erie, PA U.S.A. 16502 · Ph. 855-663-9876, Fax 814-454-7929
In Canada | Zurn Industries Limited
3544 Nashua Drive, Mississauga, Ontario L4V 1L2 · Ph. 905-405-8272, Fax 905-405-1292
www.zurn.com

Rev. B
Date: 02/21/15
C.N. No. 132275
Prod. | Dwg. No. Z1200-AUX-FT-SPRT