



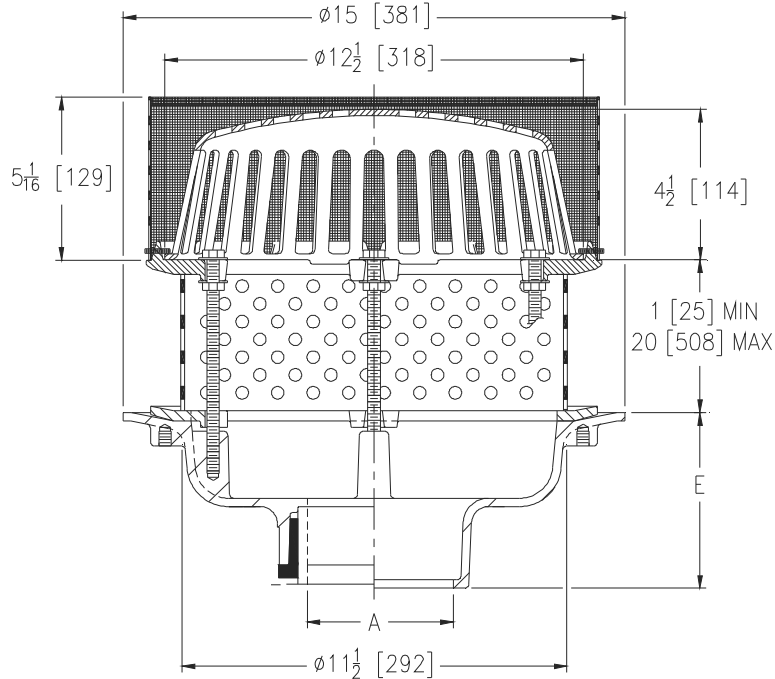
Z100-SS-VP-85

15 [381] DIA. MAIN ROOF DRAIN W/ VANDAL PROOF SECURED, STAINLESS MESH SCREEN OVER DOME, & S.S. PERFORATED EXTENSION.

SPECIFICATION SHEET

TAG _____

Dimensional Data (inches and [mm]) are Subject to Manufacturing Tolerances and Change Without Notice



| A- Pipe Size In. [mm] | Approx. Wt. Lbs. [kg] | Dome Open Area Sq. In. [cm ²] |
|-----------------------|-----------------------|---|
| 2, 3, 4 [51, 76, 102] | 26 [12] | 103 [665] |
| 5, 6 [127, 152] | 27 [12] | |
| 8 [203] | 28 [13] | |

ENGINEERING SPECIFICATION: ZURN Z100-SS-VP-85

15" [381mm] Diameter roof drain. Dura-Coated cast iron body with combination membrane flashing clamp/perforated gravel guard, secondary clamp collar, perforated extension (#18 GA.) and vandal proof secured low silhouette Poly-Dome with stainless steel mesh screen over dome.

OPTIONS (Check/specify appropriate options)

PIPE SIZE

- 2, 3, 4, 5, 6, 8 [51, 76, 102, 127, 152, 203]
- 2, 3, 4, 5, 6, 8 [51, 76, 102, 127, 152, 203]
- 2, 3, 4, 5, 6, 8 [51, 76, 102, 127, 152, 203]
- 2, 3, 4 [51, 76, 102]

(Specify size/type) OUTLET

- _____ IC Inside Caulk
- _____ IP Threaded
- _____ NH No-Hub
- _____ NL Neo-Loc

E BODY HT. DIM.

- 5-1/4 [133]
- 3-3/4 [95]
- 5-1/4 [133]
- 4-5/8 [117]

PREFIXES

- _____ Z D.C.C.I. Body with Poly-Dome*
- _____ ZA D.C.C.I. Body with 6-3/4 [171] High Aluminum Dome
- _____ ZC D.C.C.I. Body with Cast Iron Dome
- _____ ZRB D.C.C.I. Body with Plain Bronze Dome

SUFFIXES

- _____ -AC Angular Underdeck Clamp
- _____ -AR Acid Resistant Epoxy Coated Finish
- _____ -BS Bronze Mesh Screen Over Dome
- _____ -C Underdeck Clamp
- _____ -DP Top-Set® Deck Plate
- _____ -DR Top-Set® Drain Riser
- _____ -E Static Extension 1 [25] thru 4 [102] (Specify Ht.)
- _____ -EA Adjustable Extension Assembly 1-3/4 [44] thru 3-1/2 [89]
- _____ -ES Static Extension With Secondary Clamp

- _____ -G Galvanized Cast Iron
- _____ -GD Galvanized Cast Iron Dome
- _____ -HD 6-3/4 [171] High Aluminum Dome (148 Sq. In. [955 cm²] Open Area)
- _____ -R Roof Sump Reciever
- _____ -TC Neo-Loc Test Cap Gasket (2, 3, 4 [51, 76, 102] NL Bottom Outlet Only)
- _____ -VP Vandal-Proof Secured Top
- _____ -XJ Vertical Expansion Joint (See Z190)
- _____ -84 Stainless Steel Perforated Gravel Gaurd
- _____ -90 90° Threaded Side Outlet Body

* Regularly furnished unless otherwise specified.