



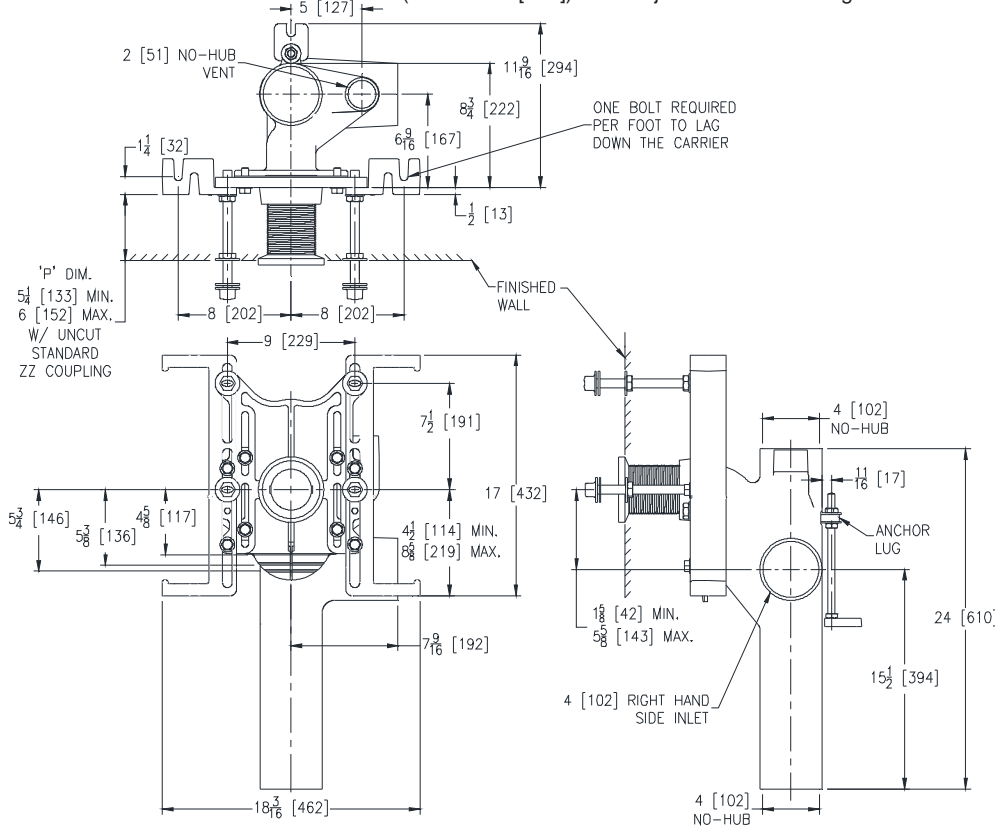
# Z1202-1N\_4-RYK17

SPECIFICATION SHEET

17 [432] ONE PIECE RYK FOOT SUPPORT  
 EZCARRY® ADJUSTABLE VERTICAL HIGH PERFORMANCE SIPHON  
 JET NO-HUB WATER CLOSET CARRIER SYSTEM W/ SIDE INLET

TAG \_\_\_\_\_

Dimensional Data (inches and [mm]) are Subject to Manufacturing Tolerances and Change Without Notice



Product Number	Approx. Wt. lbs [kg]
Z1202-1NL4-RYK	66 [30]
Z1202-1NR4-RYK	66 [30]

Note:

1. Z coupling, Min. 'P' Dim. Obtainable = 2 [51].  
 ZQ coupling, Min. 'P' Dim. Obtainable = 5 [127]
2. Feet bolted to floor using min. 1/2 [13] dia. anchors.
3. Rear anchor foot required for secure installation.
4. 2 [51] No-Hub Vent located on same side as 4 [102] side inlet.

## ENGINEERING SPECIFICATION: ZURN Z1202-N4-RYK17

EZCarry® vertical siphon jet water closet carrier system with high performance waterway and 4" [102mm] no-hub connections. System includes Dura-Coated cast iron main fitting with hydro-mechanically optimized sweep and extended 2" [51mm] vent, 4" side inlet, adjustable gasketed faceplate, floor mounted 17" [432 mm] one piece RYK foot supports, heavy-duty 1/2" [13mm] rear anchor tie down, fixture bolts, trim, stud protectors, bonded "Neo-Seal" gasket, and corrosion resistant, adjustable 3" [76mm] dia. X 6" [152mm] coupling with integral test cap designed to increase flow velocity and line carry. EZCarry® system complies with the requirements of ASME A112.6.1M up to a 500 lbs [227 kg] static load rating.

### OPTIONS (Check/specify appropriate options)

- \_\_\_ Z1202-1NL4-RYK17      4 [102] No-Hub Stack, 4" Left Hand Side Inlet, 2 [51] Right Hand Vent
- \_\_\_ Z1202-1NR4-RYK17      4 [102] No-Hub Stack, 4" Right Hand Side Inlet, 2 [51] Right Hand Vent (Shown)

### PREFIXES

- \_\_\_ Z      D.C.C.I. System with Zurn ZZ Adjustable Coupling\*
- \_\_\_ ZQ     D.C.C.I. System with NPT Faceplate, Non-Adjustable Coupling

### SUFFIXES

- \_\_\_ -A     Auxiliary Support Assembly  
 (For 'P' Dim. Greater than 18 [457])
- \_\_\_ -CC    Corrosion Resistant Cast Iron Coupling  
 (2-1/4 [57] to 12 [305])
- \_\_\_ -CE    EZ-Set™ Coupling (Available 6 [152], 12 [305] or  
 longer when specified. Minimum length=5 [127])
- \_\_\_ -CL    Custom Length Standard Coupling with Integral Test Cap  
 (Specify Length 4, 8, 10, 12 [102, 203, 254, 305])
- \_\_\_ -CS    2-1/4 [57] Polymer Coupling with Integral Test Cap
- \_\_\_ -F     Floor Mounted, Back Outlet Fixture Support
- \_\_\_ -G     Galvanized Cast Iron
- \_\_\_ -M     Auxiliary Foot Support  
 (for 'P' Dim. 10 thru 18 [254 thru 457])
- \_\_\_ -VL    Left Hand Vent Connection
- \_\_\_ -VP    Vandal-Proof Trim
- \_\_\_ -45    Finishing Frame for Siphon Jet System
- \_\_\_ -50    Flush Valve Supply Support for Water Closets

\* Regularly furnished unless otherwise specified.