



ZE1203-ND4-B

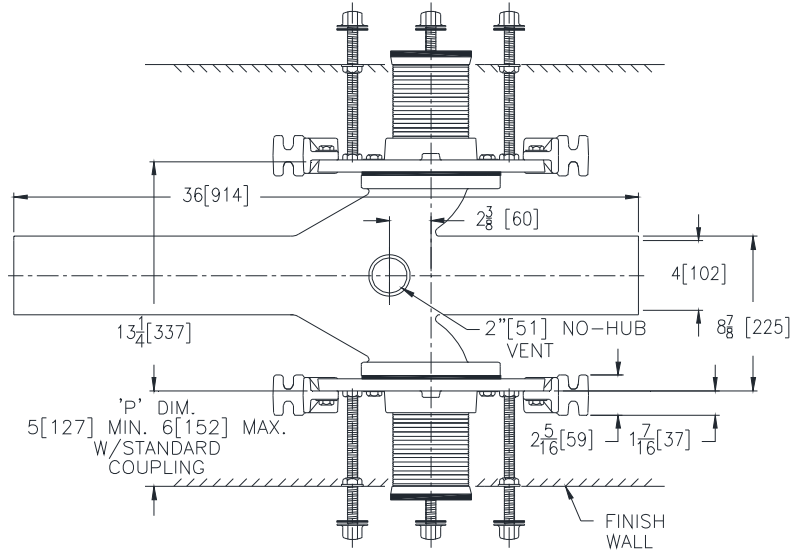
ADJUSTABLE HORIZONTAL BACK TO BACK
BLOWOUT NO-HUB

SPECIFICATION SHEET

TAG _____

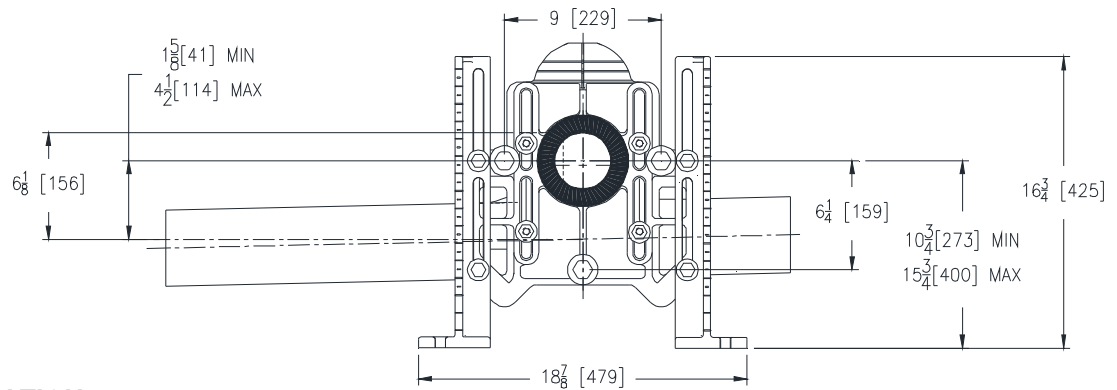
Dimensional Data (inches and [mm]) are Subject to Manufacturing Tolerances and Change Without Notice

Product No.	Approx. Wt. Lbs.
ZE1203-ND4-B	136[62]



Note:

1. Min. 'P' Dim. Obtainable = 2 [51] with cut standard coupling
2. Feet bolted to floor using min. 1/2 [13] dia. bolts and back slots on carrier feet.



ENGINEERING SPECIFICATION: ZURN ZE1203-ND4-B

Adjustable, horizontal blowout water closet "Rigid System" with 4" [102mm] No-Hub connections. Complete with Dura-Coated cast iron double main fitting, with 2" [51mm] vent, adjustable gasketed face plate, universal floor mounted foot supports, corrosion resistant adjustable ABS coupling with integral test cap, fixture bolts, trim, stud protectors, and bonded "Neo-Seal" gasket.

PRODUCT/DEFINITION

ZE1203-ND4-B 4[102] No-Hub Back to Back Inlet (Double)

PREFIXES

- ZE D.C.C.I. Elongated Fitting System with Zurn "ZZ" Adjustable Coupling*
- ZEQ D.C.C.I. Elongated Fitting System with NPT Face Plate, Non-Adjustable Coupling

SUFFIXES

- A Auxiliary Support Assembly (For 'P'-Dim. Greater than 18[457])
- CC Cast Iron Coupling 6[152] Long
- CL Coupling Length Other than Standard 6 [152] (Specify Length Required)
- JC 2 [51] Auxiliary Inlet with Sanitary Sweep
- M Auxiliary Foot Support (For 'P'-Dim. 10[254]-18[457])
- PF Pre-Fab Foot
- PS Pre-Fab Slotted Foot
- RYK Unistrut Pre-Fab Foot
- VP Vandal Proof Trim
- X3 3 [76] Foot Extension Assembly (See Z1200-FT-EXT-3)
- X4 4 [102] Foot Extension Assembly (See Z1200-FT-EXT-4)
- 45 Finishing Frame for Blowout System (See Z1200-FINFRAME-B)
- 50 Flush Valve Supply Support for W.C. (See Z1200-SPLY-SPRT-WC)

* Regularly furnished unless otherwise specified.