



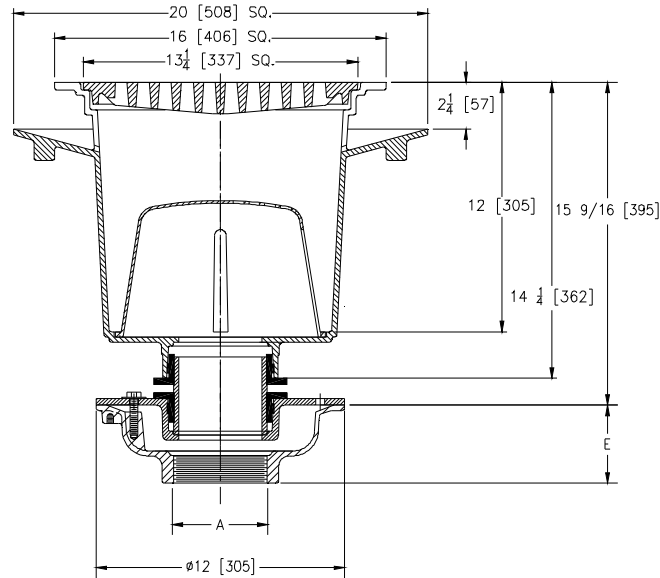
# Z1926-88

ISOLATION DECK DRAIN W/ 16 [406] X 16 [406] A.R.C.  
SANI-FLOR RECEPTOR, 12 [305] SUMP DEPTH

SPECIFICATION SHEET

TAG \_\_\_\_\_

Dimensional Data (inches and [ mm ]) are Subject to Manufacturing Tolerances and Change Without Notice



A Pipe Size In. [mm]	Approx Wt. Lbs. [kg]	Grate Open Area Sq. In. [cm <sup>2</sup> ]
2,3,4,5,6 [51,76,102,127,152]	137 [62]	54 [348]

### ENGINEERING SPECIFICATION: ZURN Z1926-88

Sani-Flor Receptor 16" x 16" x 12" [406mm x 406mm x 305mm] deep cast iron body with seepage flange and square, heavy-duty grate with 9/16" [14mm] slotted openings, white acid resisting epoxy coated interior and top, complete with aluminum anti-splash interior bottom dome strainer. Complete with lower cast iron isolation drain, clamping collar, neoprene flex gasket, and isolation nipple.

**OPTIONS** (Check/specify appropriate options)

#### PIPE SIZE

- 2,3,4,5,6 [51,76,102,127,152]
- 2,3,4,5,6 [51,76,102,127,152]
- 2,3,4,5,6 [51,76,102,127,152]
- 2,3,4 [51,76,102]

(Specify size/type) **OUTLET**

- \_\_\_\_\_ IC Inside Caulk
- \_\_\_\_\_ IP Threaded
- \_\_\_\_\_ NH No-Hub
- \_\_\_\_\_ NL Neo-Loc

**E BODY HT. DIM.**

- 5-1/4 [133]
- 3-3/4 [95]
- 5-1/4 [133]
- 4-5/8 [117]

#### PREFIXES

- \_\_\_\_\_ Z Cast Iron Body with White A.R.C. Interior\*
- \_\_\_\_\_ ZN Cast Iron Body with White A.R.C. Interior, 16-3/4 [425] Square N.B. Frame and Full Slotted Grate (Add 3/4 [19] to 16 [406] Dim.)

#### SUFFIXES

- |   |  |
|---|--|
| _____ -C Underdeck Clamp (Lower Body)                                       | _____ -8 Grate w/ 8-7/8 x 3-5/8 x 3-3/4 [225 x 92 x 95] High Oval Funnel |
| _____ -CC Clamp Collar  | _____ -11 Vandal-Proof Secured Grate                                     |
| _____ -LD Less Bottom Dome Strainer   | _____ -15 Solid Loose Set Cover  |
| _____ -P 1/2 [13] Trap Primer Connection                                    | _____ -16 1/2 Solid Loose Set Cover                                      |
| _____ -R Roof Sump Receiver (Lower Body)                                    | _____ -17 3/4 Solid Loose Set Cover                                      |
| _____ -TC Neo-Loc Test Cap Gasket (2,3,4 [51,76,102] NL Bottom Outlet Only) | _____ -18 Solid Loose Set Cover with 2 [51] Square Center Opening        |
| _____ -1 Less Grate   | _____ -23 Aluminum Bucket  |
| _____ -2 1/2 Grate  | _____ -25 White A.R.C. Bucket  |
| _____ -3 3/4 Grate  | _____ -31 Stainless Steel Mesh Liner for Bucket                          |
| _____ -4 Full Grate with 3-3/4 [95] Center Opening                          | _____ -33 White A.R.C. Anti-Splash Bottom Dome Strainer                  |
| _____ -5 Grate w/ 4 [102] Dia. x 3-3/4 [95] High Funnel                     | _____ -90 90° Threaded Side Outlet Body(Lower Body)                      |
| _____ -6 Grate w/ 6 [152] Dia. x 6 [152] High Funnel                        |  |
| _____ -7 Grate w/ 6-3/4 x 3 x 1 [171 x 76 x 25] High Oval Funnel            |  |

\* Regularly furnished unless otherwise specified.