

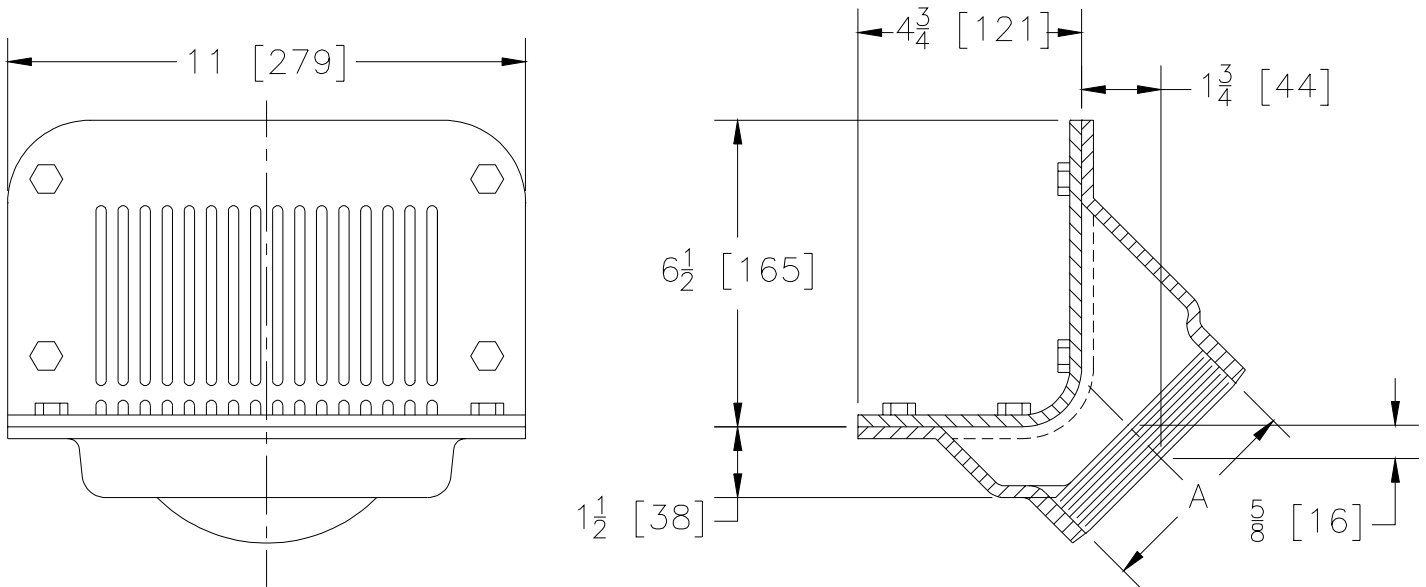


Z-189-82
5 X 6 X 11 [127 X 152 X 279]
SCUPPER DRAIN

SPECIFICATION SHEET

TAG _____

Dimensional Data (inches and [mm]) are Subject to Manufacturing Tolerances and Changes Without Notice



A Pipe Size In.	Approx. Wt. Lbs. [kg]	Grate Open Area Sq. In. [cm ²]
2 [50]	18 [8]	20 [129]
3 [75]		
4 [100]		

ENGINEERING SPECIFICATION: ZURN Z-189-82 5 x 6 x 11 [127 x 152 x 279]
 Scupper drain, Dura-Coated cast iron body with 45° outlet and flat grate.

OPTIONS (Check/specify appropriate options)

PIPE SIZE

2, 3, 4 [50, 75, 100]
 2, 3, 4 [50, 75, 100]

(Specify size/type) **OUTLET**

— IP Threaded
 — NH No-Hub (IP w/Z-1040)

PREFIXES

— Z- D.C.C.I. Body with Grate*
 — ZB- D.C.C.I. Body with Polished Bronze Grate
 — ZN- D.C.C.I. Body with Polished Nickel Bronze Grate

SUFFIXES

— -G Galvanized Cast Iron
 — -OB Oblique Grate
 — -TS Secured Top With Slotted Screws
 — -VP Vandal Proof Secured Top
 — -90 90° Threaded Side Outlet Body

REV.	DATE: 9/1/99	C.N. NO. 83127
DWG. NO. P-14745 PRODUCT NO. Z-189-82		

*REGULARLY FURNISHED UNLESS OTHERWISE SPECIFIED