



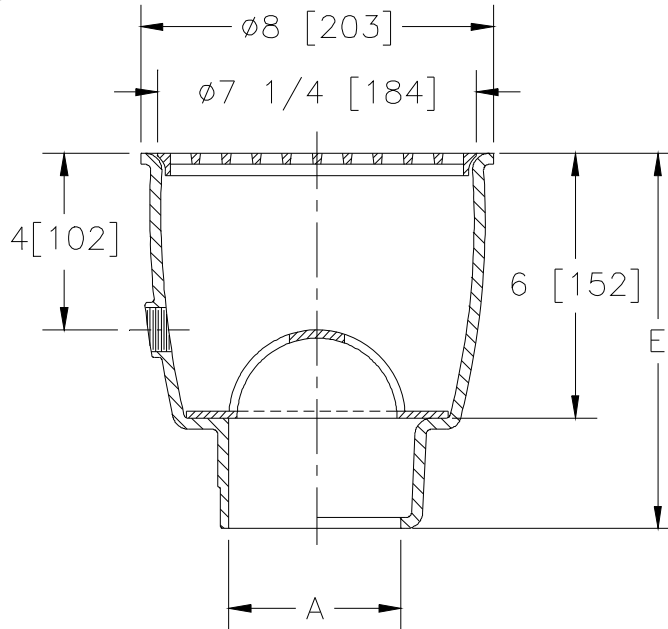
Z1960-P

8 [203] DIAMETER A.R.E. SANI-FLOR RECEPTOR
6 [152] SUMP DEPTH WITH 1/2 [13] TRAP PRIMER
CONNECTION

SPECIFICATION SHEET

TAG _____

Dimensional Data (inches and [mm]) are Subject to Manufacturing Tolerances and Change Without Notice



A Pipe Size In. [mm]	Approx Wt. Lbs. [kg]	Grate Open Area Sq. In. [cm ²]
2,3,4 [51,76,102]	25 [11]	15 [97]

ENGINEERING SPECIFICATION: ZURN Z1960-P

Sani-Flor Receptor 8" [203mm] diameter x 6" [152mm] deep cast iron body with 1/2" [13mm] trap primer connection and round square holed light duty grate with white acid resisting porcelain enamel interior and top, black ground exterior coating, and aluminum anti-splash interior bottom dome strainer.

OPTIONS (Check/specify appropriate options)

PIPE SIZE

3,4 [76,102]
2,3,4 [51,76,102]
2,3,4 [51,76,102]

(Specify size/type) OUTLET

___ IC Inside Caulk
___ NH No-Hub
___ NH No-Hub

'E' BODY HT. DIMENSION

Z	ZN
8-1/2 [216]	9 [229]
8-1/2 [216]	9 [229]
8 [203]	8-7/16 [214]

PREFIXES

___ Z Cast Iron Body with White A.R.E. Interior*
___ ZN Cast Iron Body with White A.R.E. Interior, 8-1/2 [216] Nickel Bronze Frame and Full Grate with 1/4 [6] Square Openings

SUFFIXES

___ -K Anchor Flange with Seepage Holes	___ -4 Full Grate With 2 [51] Square Opening
___ -KC Anchor Flange with Seepage Holes and Clamp Collar	___ -6 Grate w/6 [152] Diameter x 6 [152] High Funnel
___ -LD Less Internal Bottom Dome Strainer	___ -8 Grate w/8-7/8 x 3-5/8 x 3-3/4 [225 x 92 x 95] High Oval Funnel
___ -T Square Frame and Round Grate with 1/4 [6] Square Openings (ZN Only)	___ -11 Vandal Proof Secured Grate
___ -TC Neo-Loc Test Cap Gasket (2,3,4 [51,76,102] NL Bottom Outlet Only)	___ -15 Solid Loose Set Cover
___ -1 Less Grate	___ -23 Aluminum Bucket
___ -2 1/2 Grate	___ -25 White A.R.C. Bucket
___ -3 3/4 Grate	___ -31 Stainless Steel Mesh Liner for Bucket
	___ -32 Aluminum Dome Strainer
	___ -33 White A.R.C. Anti-Splash Bottom Dome Strainer

* Regularly furnished unless otherwise specified.

Zurn Industries, LLC | Specification Drainage Operation
1801 Pittsburgh Avenue, Erie, PA U.S.A. 16502 · Ph. 855-663-9876, Fax 814-454-7929
In Canada | Zurn Industries Limited
3544 Nashua Drive, Mississauga, Ontario L4V 1L2 · Ph. 905-405-8272, Fax 905-405-1292
www.zurn.com

Rev. A
Date: 10/16/2017
C.N. No. 138875
Prod. | Dwg. No. Z1960-P