



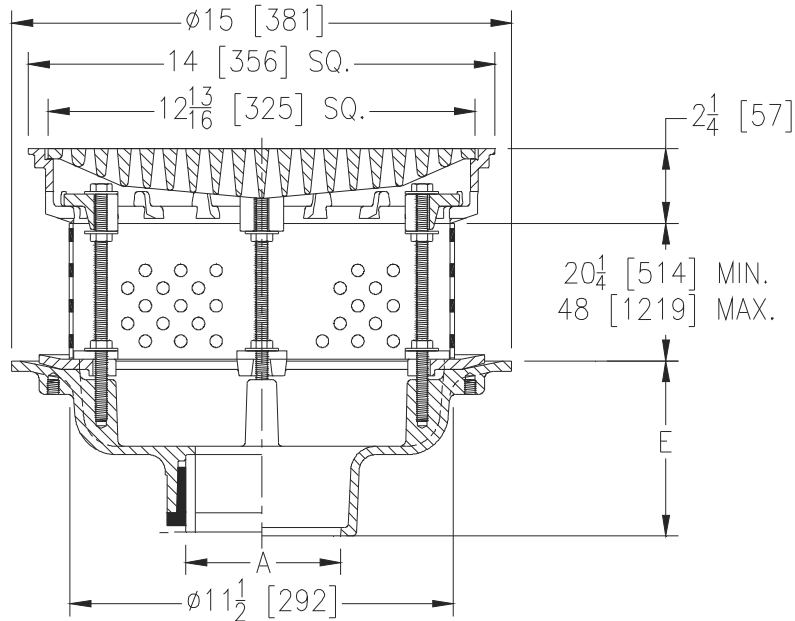
Z150-140

14 [356] SQUARE TOP PROM-DECK DRAIN WITH PERFORATED EXTENSION GREATER THAN 20 [508], HEEL-PROOF GRATE, AND ROTATABLE FRAME

SPECIFICATION SHEET

TAG _____

Dimensional Data (inches and [mm]) are Subject to Manufacturing Tolerances and Changes Without Notice



A Pipe Size In.	Approx. Wt. Lbs. [kg]	Grate Open Area Sq. In. [cm ²]
2-3-4 [51-76-102]	54 [24]	44 [284]
5-6 [127-152]		
8 [203]	56 [25]	

ENGINEERING SPECIFICATION: ZURN Z150-140

14 [356] Square Top Prom-Deck drain, Dura-Coated cast iron body with rotatable square promenade frame with seepage openings, frame clamps, perforated extension, secondary clamp collar, and heavy-duty heel-proof grate. Perforated extension shall be made of 14 ga. stainless steel.

OPTIONS (Check/specify appropriate options)

PIPE SIZE

2 thru 6-8 [51 thru 152-203]
 2 thru 6-8 [51 thru 152-203]
 2 thru 6-8 [51 thru 152-203]
 2-3-4 [51-76-102]

(Specify size/type) OUTLET

___ IC Inside Caulk
 ___ IP Threaded
 ___ NH No-Hub
 ___ NL Neo-Loc

'E' BODY HT. DIM.

5-1/4 [133]
 3-3/4 [95]
 5-1/4 [133]
 4-9/16 [116]

PREFIXES

___ Z D.C.C.I. Body with Top*
 ___ ZB D.C.C.I. Body with Polished Bronze Top (Add 3/16 [5] to 2-1/4 [57] Dim & 3/8 [10] to 14 [356] Dim.)
 ___ ZN D.C.C.I. Body with Polished Nickel Bronze Top (Add 3/16 [5] to 2-1/4 [51] Dim. & 3/8 [10] to 14 [356] Dim.)

SUFFIXES

___ -AR Acid Resistant Epoxy Coated	___ -G Galvanized Cast Iron
___ -C Underdeck Clamp	___ -HF High Flow Ductile Iron Grate (Open Area = 61 in ² [394 cm ²])
___ -DB Deep Sump Body	___ -R Roof Sump Receiver
___ -DE Deck Extension	___ -S Secondary Strainer
___ -DG Duresist Grate	___ -TC Neo-Loc Test Cap Gasket (2 [51] - 4 [102] NL Bottom Outlet Only)
___ -DP Top-Set [®] Roof Deck Plate (Replaces both the -C and -R)	___ -TS Top Secured with Slotted Screws
___ -DR Top-Set [®] Drain Riser Adjustment from 3-5/8 [92] to 7-1/4 [184])	___ -VP Vandal-Proof Secured Top
___ -DT Decorative Polished Top (ZB and ZN Only)	___ -XJ Vertical Expansion Joint (See Z190)
___ -DX Dex-O-Tex Flange	___ -Y Sediment Bucket
___ -E Static Extension 1 [25] thru 4 [102] (Specify Ht.)	___ -90 90° Threaded Side Outlet Body (2 [51] thru 6 [152])
___ -EA Adjustable Extension Assembly 2-1/8 [54] thru 3-1/2 [89]	
___ -EB Top-Set [®] Adjustable Extension Assembly	

*REGULARLY FURNISHED UNLESS OTHERWISE SPECIFIED

REV. DATE: 07/15/13 C.N. NO. 129646

PROD./DWG. NO. Z150-140

ZURN INDUSTRIES, LLC ♦ SPECIFICATION DRAINAGE OPERATION ♦ 1801 Pittsburgh Ave. ♦ Erie, PA 16514

Phone: 814455-0921 ♦ Fax: 814454-7929 ♦ World Wide Web: www.zurn.com

In Canada: ZURN INDUSTRIES LIMITED ♦ 3544 Nashua Drive ♦ Mississauga, Ontario L4V1L2 ♦ Phone: 905405-8272 Fax: 905405-1292