



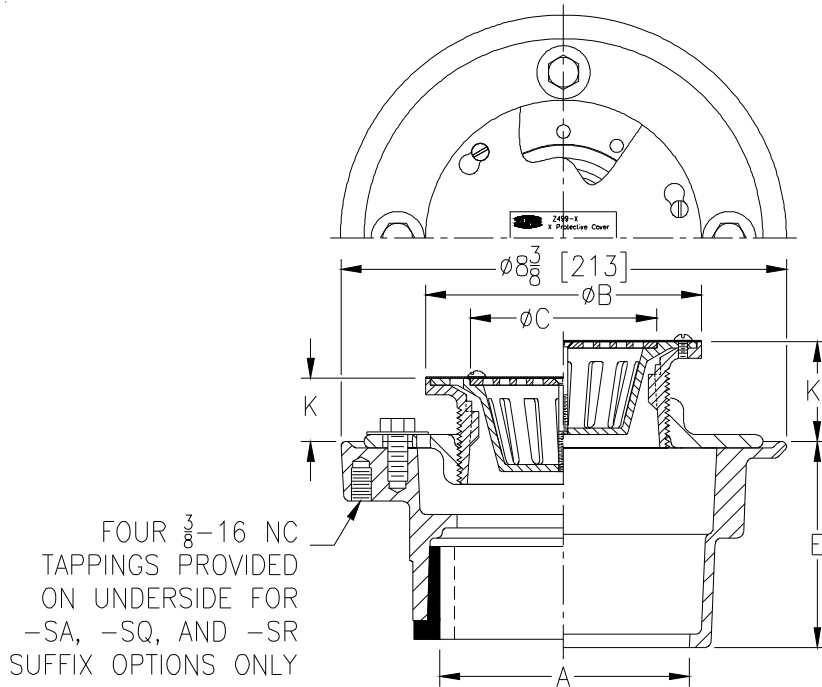
# Z415M-PC

BODY ASSEMBLY W/ "TYPE M" STRAINER,  
PROTECTIVE COVER & SUR-SET BUCKET

SPECIFICATION SHEET

TAG \_\_\_\_\_

Dimensional Data (inches and [ mm ]) are Subject to Manufacturing Tolerances and Change Without Notice



Strainer Designation	Dimensions in In [mm]							Approx. Wt. Lbs. [kg.]	Strainer Open Area Sq. In. [cm <sup>2</sup> ] (After Removal of Protective Cover)
	A -Pipe Size	B Strainer Dia.	C	K		K'			
				Min.	Max.	Min.	Max.		
-5M	2,3,4 [51,76,102]	5 [127]	3-1/2 [89]	7/8 [22]	1-5/8 [41]	1-3/16 [30]	2-3/8 [60]	11 [5]	4.5 [29]

**ENGINEERING SPECIFICATION: ZURN ZN415M-PC**

Floor and shower drain, Dura-Coated cast iron body with bottom outlet, combination invertible membrane clamp and adjustable collar with seepage slots, "TYPE M" polished nickel bronze strainer with galvanized steel construction protective cover and Sur-Set bucket.

**OPTIONS** (Check/specify appropriate options)

**PIPE SIZE**

- 2 [51]
- 3 [76]
- 4 [102]
- 2,3,4 [51,76,102]
- 2,3,4 [51,76,102]

**OUTLET** (Specify size/type)

- \_\_\_ IP Threaded
- \_\_\_ IP Threaded
- \_\_\_ IP Threaded
- \_\_\_ NH No-Hub
- \_\_\_ NL Neo-Loc

**'E' BODY HT. DIM.**

- 2-7/16 [62]
- 2-3/4 [70]
- 2-13/16 [71]
- 3-13/16 [97]
- 3-7/8 [98]

**PREFIXES**

- \_\_\_ ZB D.C.C.I. Body Assembly w/ Polished Bronze Top
- \_\_\_ ZN D.C.C.I. Body Assembly w/ Polished Nickel Bronze Top\*

**SUFFIXES**

- \_\_\_ -G Galvanized Cast Iron
- \_\_\_ -P Trap Primer Connection (Specify 1/2 [13] or 3/4 [19])
- \_\_\_ -SA Stabilizer Assembly (See Z1035)
- \_\_\_ -SQ Stabilizer Q-Deck (See Z1035-Q)
- \_\_\_ -SR Stabilizer Ring
- \_\_\_ -TC Neo-Loc Test Cap Gasket (2,3,4 [51,76,102] NL Bottom Outlet Only)
- \_\_\_ -U 1-3 [25-76] High Extension Adapter
- \_\_\_ -VP Vandal-Proof Secured Top

\* Regularly furnished unless otherwise specified.