



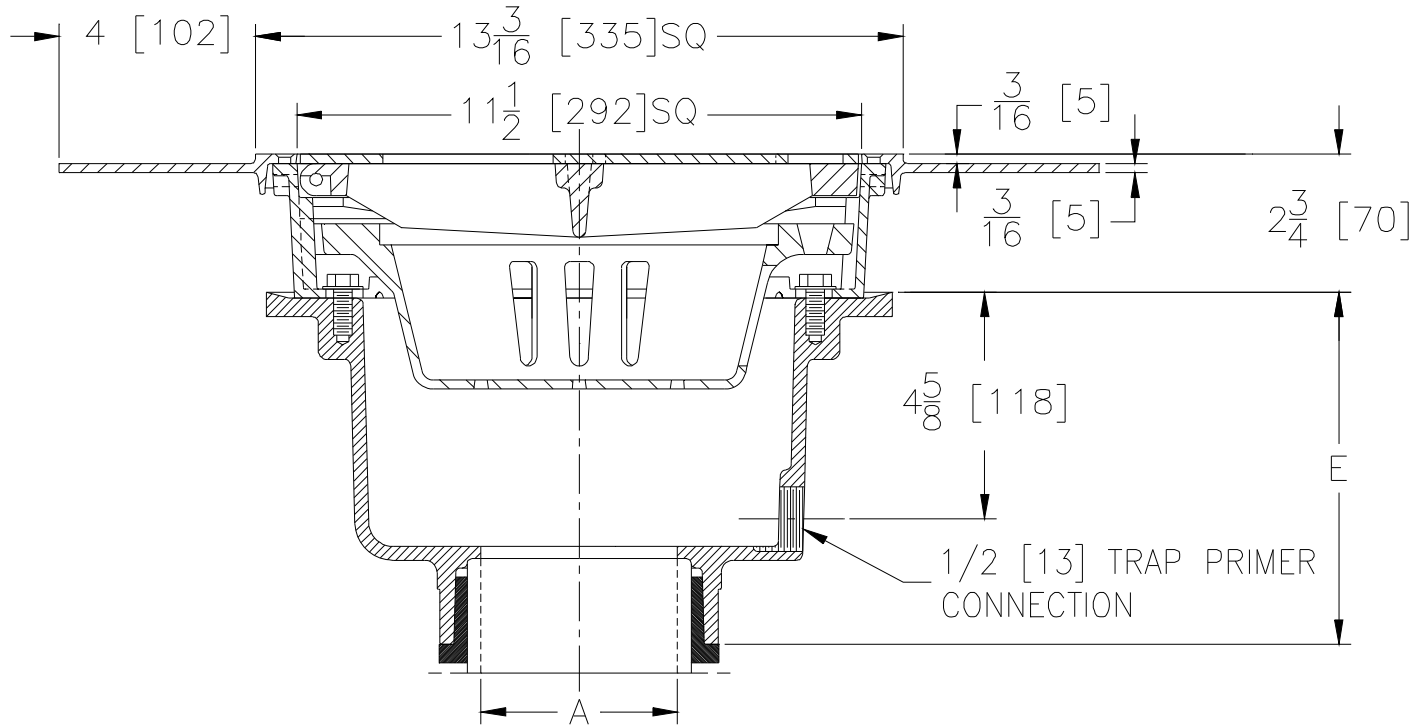
# Z-610-100

SPECIFICATION SHEET

## 13 3/16 [335] HEAVY DUTY DRAIN

TAG \_\_\_\_\_

Dimensional Data (inches and [ mm ]) are Subject to Manufacturing Tolerances and Change Without Notice



A- Pipe Size In.	Approx. Wt. Lbs. [kg]	Grate Open Area Sq. In. [cm <sup>2</sup> ]
3 [75]	54 [24]	40 [258]

**ENGINEERING SPECIFICATION: ZURN Z-610-100 13 3/16 [335]** Square top drain, Dura-Coated cast iron body with bottom outlet, seepage pan and combination membrane flashing clamp and frame for heavy duty hinged cast iron slotted grate, suspended sediment bucket, and polished nickel bronze dex-o-tex top.

**OPTIONS** (Check/specify appropriate options)

**PIPE SIZE**

3 [75]

(Specify size/type) **OUTLET**

\_\_\_\_ NL Neo-Loc

**'E' BODY HT. DIM.**

7 1/4 [183]

**PREFIXES**

\_\_\_\_ ZN- D.C.C.I Body w/Polished Nickel Bronze Top (Add 3/16 [5] to 2 5/8 [67] Dim. and 3/4 [19] to 12 1/2 [318] Dim.)\*

**SUFFIXES**

- \_\_\_\_ X -AR Acid Resistant Epoxy Coated Finish
- \_\_\_\_ -DG Duresist Grate
- \_\_\_\_ -G Galvanized Cast Iron
- \_\_\_\_ -S Secondary Strainer
- \_\_\_\_ -TS Top Secured with Slotted Screws
- \_\_\_\_ -V Backwater Valve (See Z-1099)
- \_\_\_\_ -VP Vandal Proof Secured Top
- \_\_\_\_ -YA Aluminum Sediment Bucket

\*REGULARLY FURNISHED UNLESS OTHERWISE SPECIFIED

REV.	DATE: 8/7/01	C.N. NO. 87762
DWG. NO. P-14840		PRODUCT NO. Z-610-100

ZURN INDUSTRIES, INC. ♦ SPECIFICATION DRAINAGE OPERATION ♦ 1801 Pittsburgh Ave. ♦ Erie, PA 16514

Phone: 814/455-0921 ♦ Fax: 814/454-7929 ♦ World Wide Web: www.zurn.com

In Canada: ZURN INDUSTRIES LIMITED ♦ 3544 Nashua Drive ♦ Mississauga, Ontario L4V1L2 ♦ Phone: 905/405-8272 Fax: 905/405-1292