



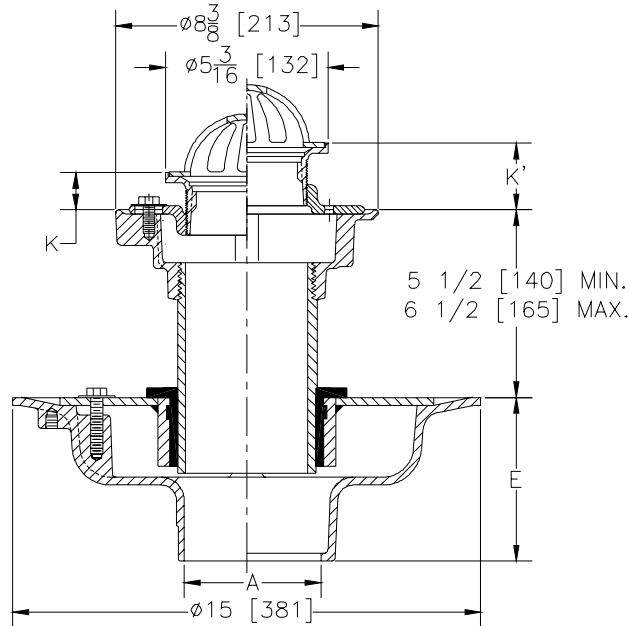
# Z625-85

## ISOLATION DECK ADJUSTABLE DRAIN WITH "TYPE G" STRAINER

SPECIFICATION SHEET

TAG \_\_\_\_\_

Dimensional Data (inches and [ mm ]) are Subject to Manufacturing Tolerances and Change Without Notice



| Dimensions In Inches    |                        |          |            |            |            | Approx.<br>Wt. Lbs.<br>[kg] | Strainer<br>Open Area<br>Sq. In.<br>[cm <sup>2</sup> ] |
|-------------------------|------------------------|----------|------------|------------|------------|-----------------------------|--|
| Strainer<br>Designation | A - Pipe Size          | K        |            | K'         |            |                             |  |
|                         |                        | Min.     | Max.       | Min.       | Max.       |                             |  |
| -5G                     | 2 thru 6 [51 thru 152] | 1/2 [13] | 1 3/8 [35] | 1 3/8 [35] | 2 3/8 [60] | 42 [19]                     | 15 [97]  |
| -6G                     | 2 thru 6 [51 thru 152] | 3/4 [19] | 1 3/4 [44] | 1 5/8 [41] | 2 3/4 [70] | 44 [20]                     | 15 [97]  |

**ENGINEERING SPECIFICATION:** ZURN ZN625-85 Adjustable isolation deck drain, Dura-Coated cast iron upper and lower bodies, upper and lower clamp collars, neoprene flex gasket, isolation nipple and round adjustable strainer top with secured slotted dome strainer.

**OPTIONS** (Check/specify appropriate options)

| PIPE SIZE                      | (Specify size/type) OUTLET             | 'E' BODY HT. DIM. |
|--------------------------------|--|-------------------|
| 2 thru 6 [51 thru 152]         | _____ IC Inside Caulk                  | 5 1/4 [133]       |
| 2 thru 4, 6 [51 thru 102, 152] | _____ IG Inside Caulk w/Sealtrol Gskt. | 5 1/4 [133]       |
| 2 thru 6 [51 thru 152]         | _____ IP Threaded                      | 3 3/4 [95]        |
| 2 thru 6 [51 thru 152]         | _____ NH No-Hub                        | 5 1/4 [133]       |
| 2 thru 4 [51 thru 102]         | _____ NL Neo-Loc                       | 4 5/8 [117]       |

**PREFIXES**

- \_\_\_\_\_ ZB D.C.C.I Body w/Polished Bronze Top
- \_\_\_\_\_ ZN D.C.C.I Body w/Polished Nickel Bronze Top\*

**SUFFIXES**

- \_\_\_\_\_ -BS Bronze Mesh Screen Over Dome
- \_\_\_\_\_ -C Underdeck Clamp (Lower Body)
- \_\_\_\_\_ -G Galvanized Cast Iron
- \_\_\_\_\_ -R Sump Receiver (Lower Body)
- \_\_\_\_\_ -SS Stainless Steel Mesh Over Dome
- \_\_\_\_\_ -U 3 [76] High Extension Adapter (Upper Body)
- \_\_\_\_\_ -VP Vandal-Proof Secured Top
- \_\_\_\_\_ -Y Sediment Bucket

\*REGULARLY FURNISHED UNLESS OTHERWISE SPECIFIED

|                         |                       |                            |
|-------------------------|-----------------------|----------------------------|
| <b>REV.</b>             | <b>DATE: 10/18/05</b> | <b>C.N. NO. 93968</b>      |
| <b>DWG. NO. P-15212</b> |                       | <b>PRODUCT NO. Z625-85</b> |