



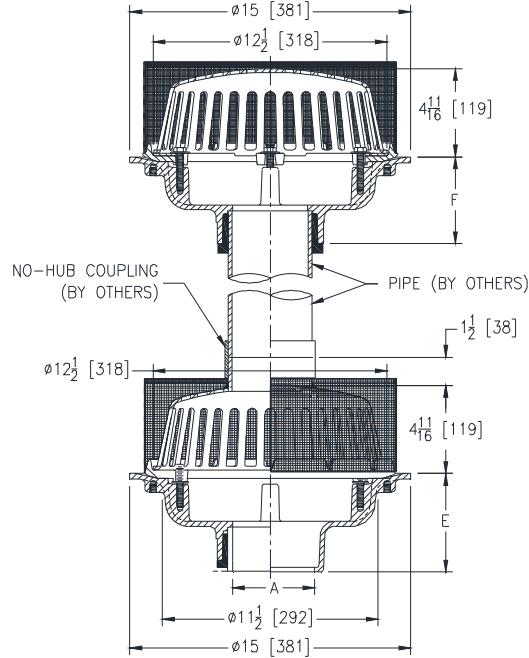
# Z100-347

15 [381] DIAMETER MAIN ROOF DRAIN W/ STAINLESS MESH SCREEN, STANDPIPE AND UPPER Z100-SS

SPECIFICATION SHEET

TAG \_\_\_\_\_

Dimensional Data (inches and [ mm ]) are Subject to Manufacturing Tolerances and Change Without Notice



A Pipe Size Inches [mm]	Approx. Wt. Lbs. [kg]	Dome Open Area Sq. In. [cm <sup>2</sup> ]
2,3,4 [51, 76, 102]	54 [24]	103 [665]
6 [152]	52 [24]	
8 [203]	53 [24]	

### ENGINEERING SPECIFICATION: ZURN Z100-347

15" [381mm] Diameter roof drain. Dura-Coated cast iron body with combination membrane flashing clamp/gravel guard, low silhouette cast iron dome with stainless mesh screen, no-hub coupling and standpipe (by others) and upper Z100-SS.

### OPTIONS (Check/specify appropriate options)

#### PIPE SIZE

- 3,4,6 [76,102,152]
- 2,3,4,6,8 [51,76,102,152,203]
- 2,3,4,6,8 [51,76,102,152,203]
- 2,3,4 [51,76,102]
- 6 [152]

#### (Specify size/type) OUTLET

- \_\_\_\_\_ IC Inside Caulk
- \_\_\_\_\_ IP Threaded
- \_\_\_\_\_ NH No-Hub
- \_\_\_\_\_ NL Neo-Loc
- \_\_\_\_\_ NL Neo-Loc

#### 'E' BODY HT. DIM.

- 5-1/4 [133]
- 3-3/4 [95]
- 5-1/4 [133]
- 4-9/16 [116]
- 5-7/16 [112]

#### 'F' BODY HT. DIM.

- 
- 
- 
- 4-9/16 [116]
- 5-7/16 [112]

### PREFIXES

- \_\_\_ ZA D.C.C.I. Body with Aluminum Dome
- \_\_\_ ZC D.C.C.I. Body with Cast Iron Dome\*
- \_\_\_ ZRB D.C.C.I. Body with Plain Bronze Dome

### SUFFIXES

- \_\_\_ -AC Angular Underdeck Clamp (Lower Body)
- \_\_\_ -AR Acid Resistant Epoxy Coated
- \_\_\_ -C Underdeck Clamp (Lower Body)
- \_\_\_ -DX Dex-O-Tex Flange
- \_\_\_ -G Galvanized Cast Iron
- \_\_\_ -GD Galvanized Cast Iron Dome (ZC Only)
- \_\_\_ -R Roof Sump Receiver (Lower Body)
- \_\_\_ -SC Secondary Clamp Collar
- \_\_\_ -TC Neo-Loc Test Cap Gasket (Lower Body) (2,3,4 [51,76,102] NL Bottom Outlet Only)
- \_\_\_ -VP Vandal-Proof Secured Top
- \_\_\_ -84 Stainless Steel Perforated Gravel Guard
- \_\_\_ -89 2 [51] High External Water Dam
- \_\_\_ -90 90° Threaded Side Outlet Body (2,3,4,6 [51,76,102,152]) (Lower Body)

\* Regularly furnished unless otherwise specified.