



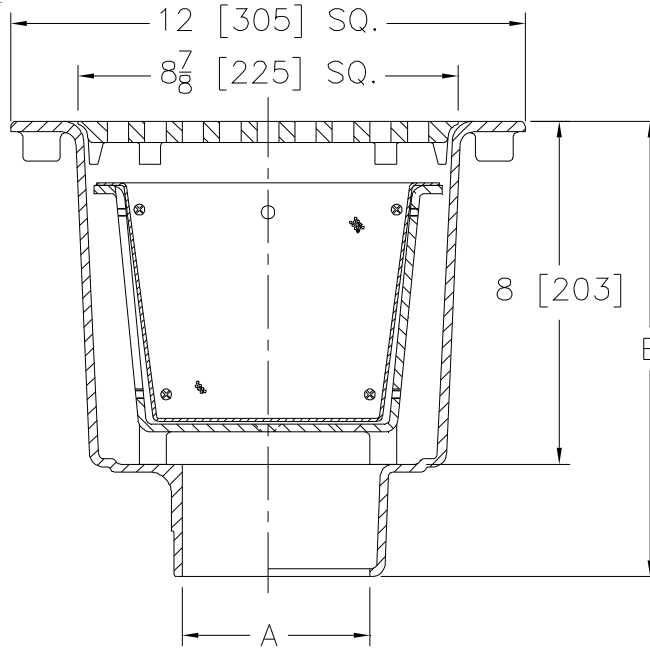
Z1901-23-31

12 X 12 [305 X 305] A.R.E. SANI-FLOR RECEPTOR 8 [203] SUMP DEPTH W/ STAINLESS STEEL MESH LINER AND ALUMINUM BUCKET

SPECIFICATION SHEET

TAG _____

Dimensional Data (inches and [mm]) are Subject to Manufacturing Tolerances and Change Without Notice



A- Pipe Size In.	Approx Wt. Lbs. [kg]	Grate Open Area Sq. In. [cm ²]
2-3-4 [51-76-102]	34 [15]	31 [200]

ENGINEERING SPECIFICATION: ZURN Z1901-23-31
Sani-Flor Receptor 12 x 12 x 8 [305 x 305 x 203] deep cast iron body and square slotted medium duty grate, with white acid resisting porcelain enamel interior and top, complete with bucket and stainless steel mesh liner.

OPTIONS (Check/specify appropriate options)

PIPE SIZE

- 2-3-4 [51-76-102]
- 2-3-4 [51-76-102]
- 2-3-4 [51-76-102]

(Specify size/type) **OUTLET**

- ___ IC Inside Caulk
- ___ NH No-Hub
- ___ NL Neo-Loc

'E' BODY HT. DIMENSION

Z	ZN / ZS
10-5/8 [270]	11-1/8 [283]
10-5/8 [270]	11-1/8 [283]
10 [254]	10-1/2 [267]

PREFIXES

- ___ Z Cast Iron Body with White A.R.E. Interior*
- ___ ZN Cast Iron Body with White A.R.E. Interior, 12-1/2 [317] Square N.B. Frame and Full Grate with 1/2 [13] Openings (Add 1/2 [13] to 12 [305] Dim.)
- ___ ZS Cast Iron Body with White A.R.E. Interior, 12-1/2 [317] Square Stainless Steel Frame and Full Grate with 1/2 [13] Openings (Add 1/2 [13] to 12 [305] Dim.)

SUFFIXES

- | | |
|--|--|
| ___ -DX Dex-o-Tex Flange (ZN only) | ___ -6 Grate w/ 6 [152] Dia. x 6 [152] High Funnel |
| ___ -HD Stainless Steel Frame w/ X-Heavy Duty Stainless Steel Grate (ZS only) | ___ -7 Grate w/ 6-3/4 x 3 x 1 [171 x 76 x 25] High Oval Funnel |
| ___ -HP Heel-Proof Grate (ZN only) | ___ -8 Grate w/ 8-7/8 x 3-5/8 x 3-3/4 [225 x 92 x 95] High Oval Funnel |
| ___ -K Anchor Flange | ___ -9 Angle Frame and Grate (ZN Only) |
| ___ -KC Anchor Flange with Seepage Holes and Clamp Collar | ___ -11 Vandal-Proof Secured Top (ZN & ZS only) |
| ___ -P 1/2 [13] Trap Primer Connection (See Z1023) | ___ -12 Depressed Aluminum Grate (ZN only) |
| ___ -SA Stabilizer Assembly (See Z1903) | ___ -15 Solid Loose Set Cover (Z & ZN Only) |
| ___ -TC Neo-Loc Test Cap Gasket (2-4 [51-102] NL Bottom Outlet Only) | ___ -16 1/2 Solid Loose Set Cover (Z & ZN Only) |
| ___ -VPS Vandal-Proof Strainer | ___ -17 3/4 Solid Loose Set Cover (Z & ZN Only) |
| ___ -1 Less Grate | ___ -18 Solid Loose Set Cover w/ Center Opening (2-1/4 [57] Square for Z Only) and (3 [76] Square for ZN Only) |
| ___ -2 1/2 Grate | ___ -19 Full Hinged Grate (ZN only) |
| ___ -3 3/4 Grate | |
| ___ -4 Full Grate w/ Center Opening (2 [51] Dia. for Z) and (3-1/32 [77] Square for ZN & ZS) | |
| ___ -5 Grate w/ 4 [102] Dia. x 3-3/4 [95] High Funnel | |

REV. B	DATE: 08/01/11	C.N. NO. 121753
DWG. NO. 59923	PRODUCT NO. Z1901-23-31	

*REGULARLY FURNISHED UNLESS OTHERWISE SPECIFIED