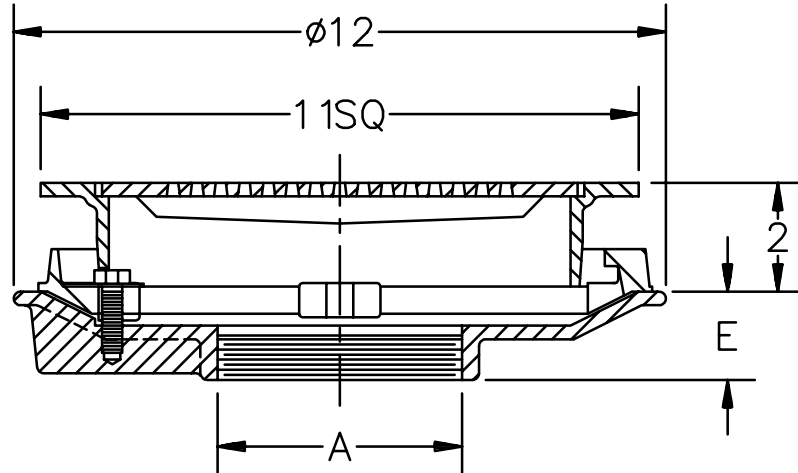




# Z-111-76 11" PROM DECK DRAIN FOR METAL DECK

TAG \_\_\_\_\_

Dimensions Subject to Manufacturing Tolerances



A- Pipe Size In.	Apprx. Wt. Lbs.	Grate Open Area Sq. In.
3-4	23	20
6	25	

**ENGINEERING SPECIFICATION:** ZURN Z-111-76 11" Top Prom-Deck drain for metal decks, Dura-Coated cast iron body with combination membrane flashing clamp/gravel, square promenade frame and heel-proof grate.

**OPTIONS** (Check/specify appropriate options)

**PREFIXES**

- \_\_\_ **Z-** D.C.C.I. Body with Grate\*
- \_\_\_ **ZB-** D.C.C.I. Body with Polished Bronze Grate
- \_\_\_ **ZN-** D.C.C.I. Body with Polished Nickel Bronze Grate

**OUTLET**

- \_\_\_ **IP** Threaded
- \_\_\_ **IP** Threaded

**PIPE SIZE** (Specify size)

- \_\_\_ 3",4"
- \_\_\_ 6"

**'E' BODY HT. DIMENSION**

- 1-5/8"
- 1-7/8"

**SUFFIXES**

- \_\_\_ **-AC** Angular Underdeck Clamp
- \_\_\_ **-DG** Duresist Grate
- \_\_\_ **-E** 2" Hight Static Extension
- \_\_\_ **-C** Underdeck Clamp
- \_\_\_ **-G** Galvanized Cast Iron
- \_\_\_ **-R** Roof Sump Receiver
- \_\_\_ **-VP** Vandal Proof Secured Top
- \_\_\_ **-XJ** Vertical Expansion Joint (See Z-190)

REV. \_\_\_\_\_ DATE: 3/25/92 C.N.NO. 68198  
 DWG.NO. P-13679 PRODUCT NO. Z-111-76

\*REGULARLY FURNISHED UNLESS OTHERWISE SPECIFIED