



ZA880-300A-KC

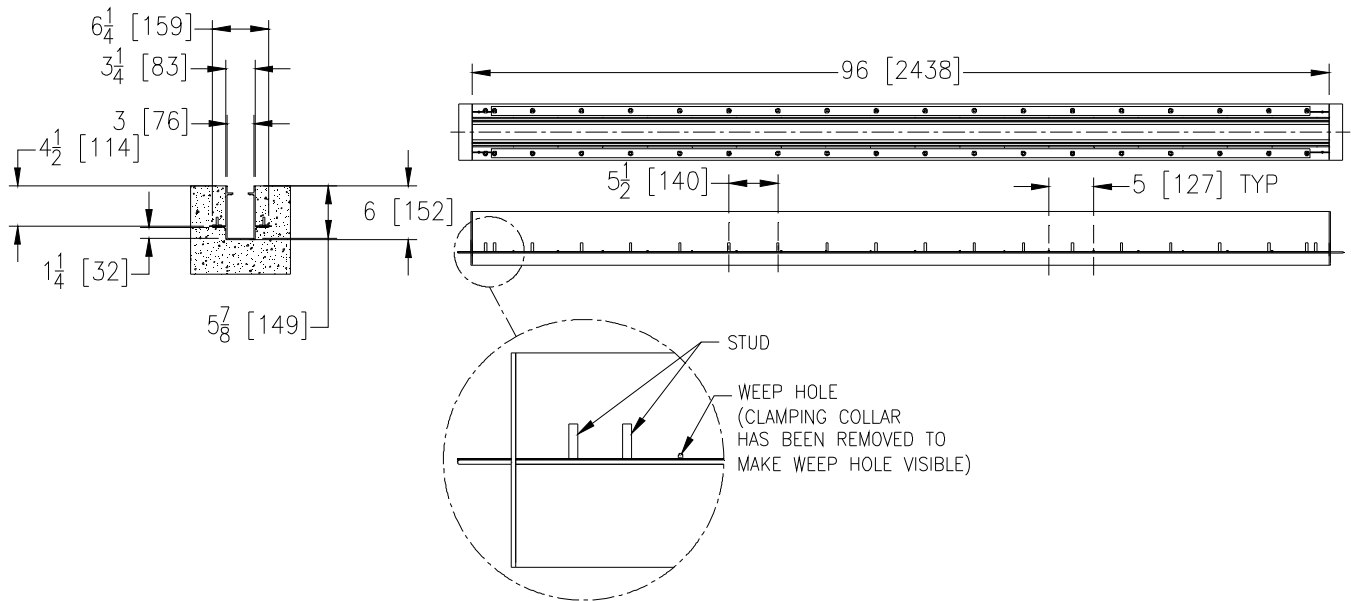
SPECIFICATION SHEET

3 [76] WIDE REVEAL TRENCH DRAIN SYSTEM WITH CLAMPING COLLAR AND PAN

TAG _____

Dimensional Data (inches and [mm]) are Subject to Manufacturing Tolerances and Change Without Notice

SPECIFYING ENGINEER IS RESPONSIBLE FOR CONCRETE ENCASEMENT AND REINFORCING BASED UPON APPLICATION AND LOCAL CODES



ENGINEERING SPECIFICATION: Zurn ZA880-300A-KC

Channels shall be 96 [2438] long, 3-1/4 [82] wide reveal, 3 [76] throat, and have a 5-7/8 [149] invert, with Clamping Collar and Pan. Modular channel sections shall be made of 0% water absorbent Aluminum Alloy T-6063T5. Shall have a positive mechanical connection and integral gasket between channel sections that will not separate during the installation. Channels shall weigh less than 2 lbs. [0.91kg] per linear foot, have a Manning's coefficient of 0.002 and neutral 0% built in slope. Channels shall have 2 [51] flange on both sides to mechanically lock into the concrete surround. Shall be provided with standard BZ Bronze Decorative grates that do not lock down and not intended for dynamic traffic loadings. Zurn 3-1/4 [48] wide reveal Bronze Decorative Grate conforming to ASTM specification B584 Copper Alloy No. 844. Decorative Bronze grate is rated class A per the DIN EN1433 top load classifications. Supplied in 24 [610] with 3/4 [19] bearing depth. Grate has an open area of 7.59 sq. in per ft. [16,075 sq. mm per meter]. Trench is anodized after extrusion to match grate color. Trench and grate shall be produced in the U.S.A.

PREFIX OPTIONS (Check/specify appropriate options)

Z Eight-foot, Extruded Aluminum *

SUFFIX OPTIONS (Check/specify appropriate options)

Outlet Adapters Add/Each

- E1 Closed End Cap
- U1.5 1-1/2 [38] No-Hub Bottom Outlet

Grate Options (Load Classifications are per DIN EN1433)

- AWG Aluminum Wire Grate - Class A
- AZ Aluminum Decorative Grate - Class A
- BZ Bronze Decorative Grate - Class A
- DOG Ductile Decorative Grate - Class A (Non Domestic)
- NBZ Nickel Bronze Decorative Grate - Class A



*REGULARLY FURNISHED UNLESS OTHERWISE SPECIFIED

REV. -	DATE: 12/12/11	C.N. NO. 122531
DWG. NO. 307946	PRODUCT NO. ZA880-300A-KC	

ZURN INDUSTRIES, LLC ♦ SPECIFICATION DRAINAGE OPERATION ♦ 1801 Pittsburgh Ave. ♦ Erie, PA 16514

Phone: 814/455-0921 ♦ Fax: 814/454-7929 ♦ World Wide Web: www.zurn.com

In Canada: ZURN INDUSTRIES LIMITED ♦ 3544 Nashua Drive ♦ Mississauga, Ontario L4V1L2 ♦ Phone: 905/405-8272 Fax: 905/405-1292