



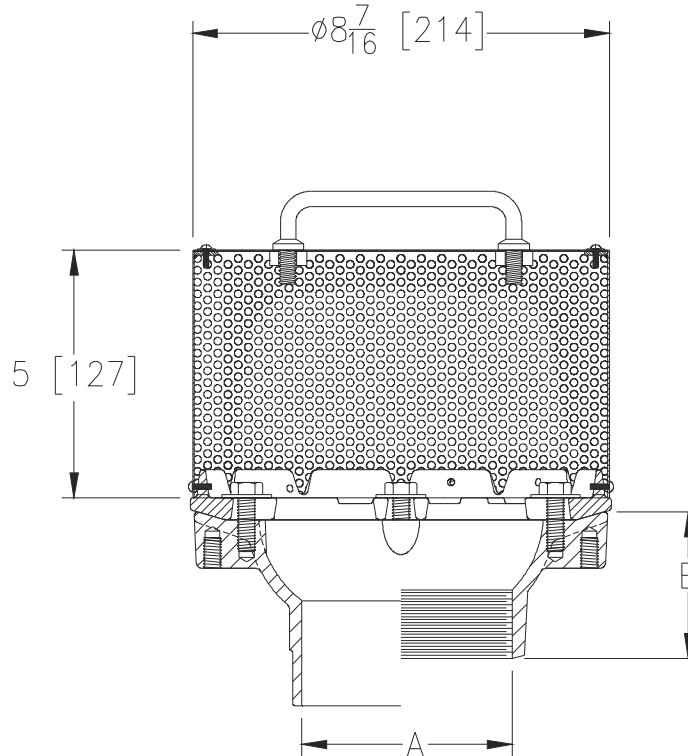
# Z125-116

8-3/8 [213] DIAMETER ROOF DRAIN W/ 5 [127] S.S. PERFORATED GRAVEL GUARD ASSEMBLY

SPECIFICATION SHEET

TAG \_\_\_\_\_

Dimensional Data (inches and [ mm ]) are Subject to Manufacturing Tolerances and Change Without Notice



A Pipe Size In. [mm]	Approx. Wt. Lbs. [kg]	Dome Open Area Sq. In. [cm <sup>2</sup> ]
2, 3, 4 [51, 76, 102]	14 [6]	74 [477]

**ENGINEERING SPECIFICATION: ZURN Z125-116**  
 8-3/8 [213] Diameter roof drain, Dura-Coated cast iron body with combination membrane flashing clamp/gravel guard, and stainless steel perforated gravel guard assembly, with removable lid and lift handle.

**OPTIONS** (Check/specify appropriate options)

**PIPE SIZE**

- 2, 3, 4 [51, 76, 102]
- 2 [51]
- 3 [76]
- 4 [102]
- 2, 3, 4 [51, 76, 102]
- 2, 3, 4 [51, 76, 102]

(Specify size/type) **OUTLET**

- \_\_\_ IC Inside Caulk
- \_\_\_ IP Threaded
- \_\_\_ IP Threaded
- \_\_\_ IP Threaded
- \_\_\_ NH No-Hub
- \_\_\_ NL Neo-Loc

**'E' BODY HT. DIM.**

- 3-7/8 [98]
- 2-7/16 [62]
- 2-3/4 [70]
- 3 [76]
- 4 [102]
- 3-13/16 [97]

**PREFIXES**

- \_\_\_ Z D.C.C.I. Body with Stainless Steel Perforated Cover\*

**SUFFIXES**

- |   |  |
|---|--|
| ___ -AR Acid Resistant Epoxy Coated Finish                        | ___ -SC Secondary Clamping Collar  |
| ___ -C Underdeck Clamp  | ___ -TC Neo-Loc Test Cap Gasket<br>(2, 3, 4 [51, 76, 102] NL Bottom Outlet Only)   |
| ___ -DP Top-Set® Roof Deck Plate<br>(Replaces both the -C and -R) | ___ -XJ Vertical Expansion Joint (See Z190)  |
| ___ -DR Top-Set® Drain Riser                                      | ___ -85 Stainless Steel Perforated Extension                                       |
| ___ -E 2 [51] High Static Extension (Specify Height)              | ___ -90 90° Threaded Side Outlet Body<br>(2, 3, 4 [51, 76, 102]) (Previously Z126) |
| ___ -EB Top-Set® Adjustable Extension Assembly                    |  |
| ___ -G Galvanized Cast Iron                                       |  |
| ___ -R Roof Sump Receiver   |  |

\* Regularly furnished unless otherwise specified.