



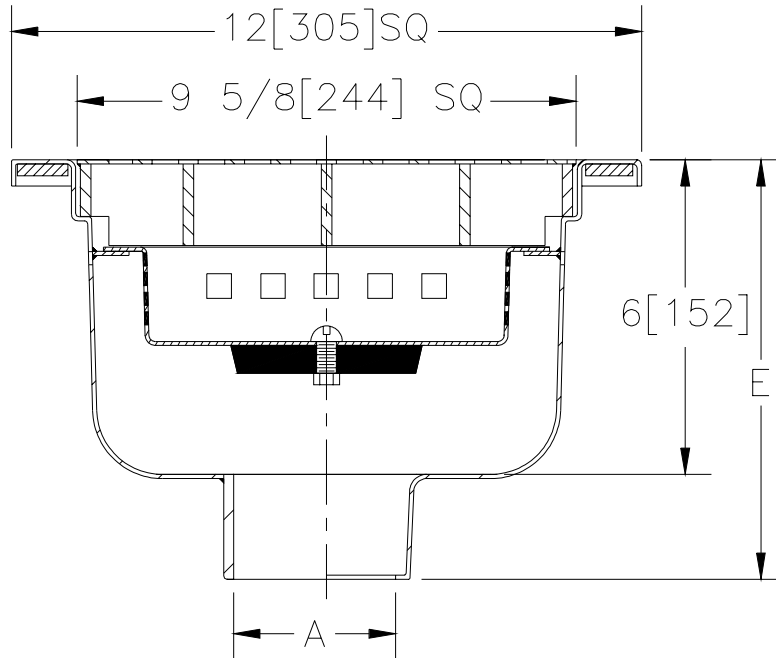
Z1750-132

SPECIFICATION SHEET

12[305] x 12[305] SANI-FLOR RECEPTOR 6[152] Sump Depth

TAG _____

Dimensional Data (inches and [mm]) are Subject to Manufacturing Tolerances and Change Without Notice



| A Pipe Size In. | Approx. Wt. Lbs. | Grate Open Area Sq. In. |
|------------------------|---------------------|----------------------------|
| 2[50]-3[75]- 4[100] | 18[9] | 23[148] |

ENGINEERING SPECIFICATION: ZURN Z1750-132
12[305]x12[305]x6[152] deep, 14 gage, All Type 304 (CF8) Stainless Steel light duty Sani-Flor receptor with non-tilt, loose set extra heavy duty grate with 1/2[13] square openings and suspended stainless steel mesh sediment bucket with closure plug.

OPTIONS (Check/specify appropriate options)

| PIPE SIZE | (Specify size/type) OUTLET | 'E' BODY HT. DIM. |
|-------------------|----------------------------|-------------------|
| 2[50] thru 4[100] | ___ IC Inside Caulk | 8 9/16[217] |
| 2[50] | ___ IP Threaded | 7 5/16[186] |
| 3[75] | ___ IP Threaded | 7 9/16[192] |
| 4[100] | ___ IP Threaded | 8 1/16[204] |
| 2[50] thru 4[100] | ___ NH No-Hub | 8 1/16[204] |
| 2[50] thru 4[100] | ___ NL Neo-Loc | 7 13/16[198] |

PREFIXES

- ___ Z Type 304 (CF8) Stainless Steel Body*
- ___ ZM Type 316 (CF8M) Stainless Steel

SUFFIXES

- ___ -DX Dexotex Flange
- ___ -K Seepage Pan
- ___ -KC Seepage Pan with Clamp Collar
- ___ -P 1/2[13] Trap Primer Connection
- ___ -1 (Less) Grate
- ___ -2 1/2[13] Grate
- ___ -3 3/4[19] Grate
- ___ -4 Full Grate With 3[76] Square Opening
- ___ -5 Grate w/4[100] dia. x 3 3/4[95] High Funnel
- ___ -8 Grate w/8 3/8[213] x 3 5/8[92] x 3 3/4[95] oval funnel
- ___ -15 Solid Cover
- ___ -16 1/2 Solid Cover
- ___ -17 3/4 Solid Cover
- ___ -18 Solid Cover With 3[76] Square Center Opening

REV. DATE: 11/26/02 C.N. NO. 90088

*REGULARLY FURNISHED UNLESS OTHERWISE SPECIFIED

DWG. NO. P-14948 PRODUCT NO. Z1750-132