



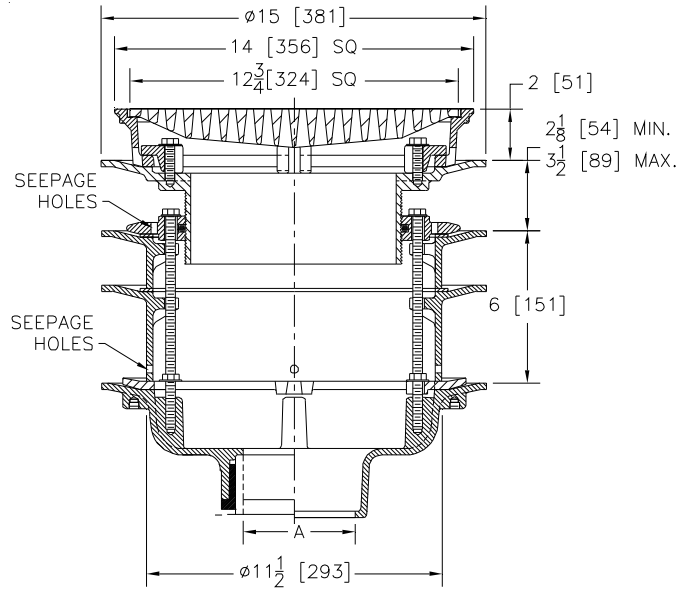
Z150-123

SPECIFICATION SHEET

14 [356] SQUARE TOP PROM-DECK DRAIN W/ ADJUSTABLE EXTENSION, STATIC EXTENSION, AND SECONDARY CLAMP COLLAR

TAG _____

Dimensional Data (inches and [mm]) are Subject to Manufacturing Tolerances and Changes Without Notice



A- Pipe Size In.	Approx. Wt. Lbs. [kg]	Grate Open Area Sq. In. [cm ²]
2-3-4 [51-76-102]	68 [31]	44 [284]
5-6 [127-152]		
8 [203]	70 [32]	

ENGINEERING SPECIFICATION: ZURN Z150-123

14 [356] Square Top Prom-Deck drain, Dura-Coated cast iron body with rotatable square promenade frame, frame clamps, adjustable extension assembly, 2 [51] static extension, 4 [102] static extension with seepage holes and secondary clamp collar at body and heavy-duty heel proof grate.

OPTIONS (Check/specify appropriate options)

PIPE SIZE

2 thru 6-8 [51 thru 152-203]
2 thru 6-8 [51 thru 152-203]
2 thru 6-8 [51 thru 152-203]
2-3-4 [51-76-102]

(Specify size/type) OUTLET

___ IC Inside Caulk
___ IP Threaded
___ NH No-Hub
___ NL Neo-Loc

E BODY HT. DIM.

5 1/4 [133]
3 3/4 [95]
5 1/4 [133]
4 5/8 [117]

PREFIXES

___ Z D.C.C.I. Body with Top*
___ ZB D.C.C.I. Body with Polished Bronze Top (Add 3/16 [5] to 2 [51] Dim & 3/8 [10] to 14 [356] Dim.)
___ ZN D.C.C.I. Body with Polished Nickel Bronze Top (Add 3/16 [5] to 2 [51] Dim. & 3/8 [10] to 14 [356] Dim.)

SUFFIXES

___ -AR Acid Resistant Epoxy Coated	___ -S Secondary Strainer
___ -C Underdeck Clamp	___ -SC Secondary Clamping Collar
___ -DB Deep Sump Body	___ -TC Neo-Loc Test Cap Gasket (2 [51]-4 [102] NL Bottom Outlet Only)
___ -DG Duresist Grate	___ -TS Top Secured With Slotted Screws
___ -DP Top-Set [®] Roof Deck Plate (Replaces both the -C and -R)	___ -VP Vandal-Proof Secured Top
___ -DR Top-Set [®] Drain Riser (Adjustment from 3 5/8 [92] to 7 1/4 [184])	___ -XJ Vertical Expansion Joint (See Z190)
___ -DT Decorative Polished Top (ZB and ZN Only)	___ -Y Sediment Bucket
___ -DX Dex-o-tex Flange (ZB and ZN Only)	___ -85 Stainless Steel Perforated Extension
___ -EB Top-Set [®] Adjustable Extension Assembly	___ -90 90° Threaded Side Outlet Body (2 [51] thru 6 [152])
___ -G Galvanized Cast Iron	
___ -R Roof Sump Receiver	

*REGULARLY FURNISHED UNLESS OTHERWISE SPECIFIED

REV. DATE: 10/24/06 C.N. NO. 95776

DWG. NO. P-15345 PRODUCT NO. Z150-123

ZURN INDUSTRIES, LLC ♦ SPECIFICATION DRAINAGE OPERATION ♦ 1801 Pittsburgh Ave. ♦ Erie, PA 16514

Phone: 814/455-0921 ♦ Fax: 814/454-7929 ♦ World Wide Web: www.zurn.com

In Canada: ZURN INDUSTRIES LIMITED ♦ 3544 Nashua Drive ♦ Mississauga, Ontario L4V1L2 ♦ Phone: 905/405-8272 Fax: 905/405-1292