



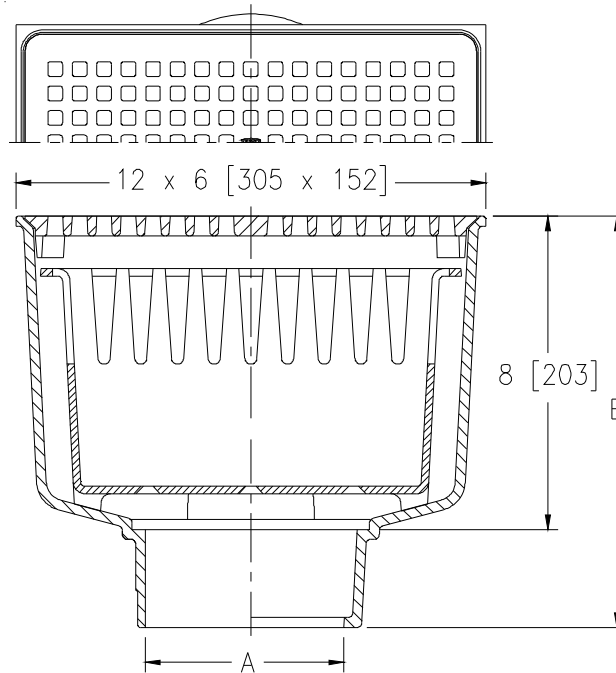
Z1940-25

12 X 6 [305 X 152] A.R.C. SANI-FLOR RECEPTOR
8 [203] SUMP DEPTH W/ WHITE A.R.C. BUCKET

SPECIFICATION SHEET

TAG _____

Dimensional Data (inches and [mm]) are Subject to Manufacturing Tolerances and Change Without Notice



A Pipe Size In. [mm]	Approx Wt. Lbs. [kg]	Grate Open Area Sq. In. [cm ²]
2,3,4 [51,76,102]	28 [13]	17 [110]

ENGINEERING SPECIFICATION: ZURN Z1940-25

Sani-Flor Receptor 12" x 6" x 8" [305mm x 152mm x 203mm] deep cast iron body and rectangular square hole light-duty grate, with white acid resisting epoxy coated interior and top, complete with white A.R.C. bucket.

OPTIONS (Check/specify appropriate options)

PIPE SIZE

- 2,3,4 [51,76,102]
- 2,3,4 [51,76,102]
- 2,3,4 [51,76,102]

OUTLET (Specify size/type)

- _____ IC Inside Caulk
- _____ NH No-Hub
- _____ NL Neo-Loc

'E' BODY HT. DIMENSION

Z	ZN
10-1/2 [267]	10-7/8 [276]
10-1/2 [267]	10-7/8 [276]
10 [254]	10-3/8 [264]

PREFIXES

- _____ Z Cast Iron Body with White A.R.C. Interior*
- _____ ZN Cast Iron Body with White A.R.C. Interior, 13 x 7 [330 x 178] N.B. Frame and Full Grate with 3/8 [10] Square Openings

SUFFIXES

- _____ -K Anchor Flange with Seepage Holes
- _____ -KC Anchor Flange with Seepage Holes and Clamp Collar
- _____ -P 1/2 [13] Trap Primer Connection
- _____ -S Secondary Strainer
- _____ -TC Neo-Loc Test Cap Gasket (2,3,4 [51,76,102] NL Bottom Outlet Only)
- _____ -1 (Less) Grate
- _____ -2 1/2 Grate
- _____ -3 3/4 Grate
- _____ -4 Full Grate with Square Center Opening
- _____ -6 Grate w/ 6 [152] Dia. x 6 [152] High Funnel
- _____ -8 Grate w/ 8-7/8 x 3-5/8 x 3-3/4 [225 x 92 x 95] High Oval Funnel
- _____ -11 Vandal-Proof Secured Grate (ZN Only)
- _____ -15 Solid Loose Set Cover
- _____ -31 Stainless Steel Mesh Liner for Bucket

* Regularly furnished unless otherwise specified.