



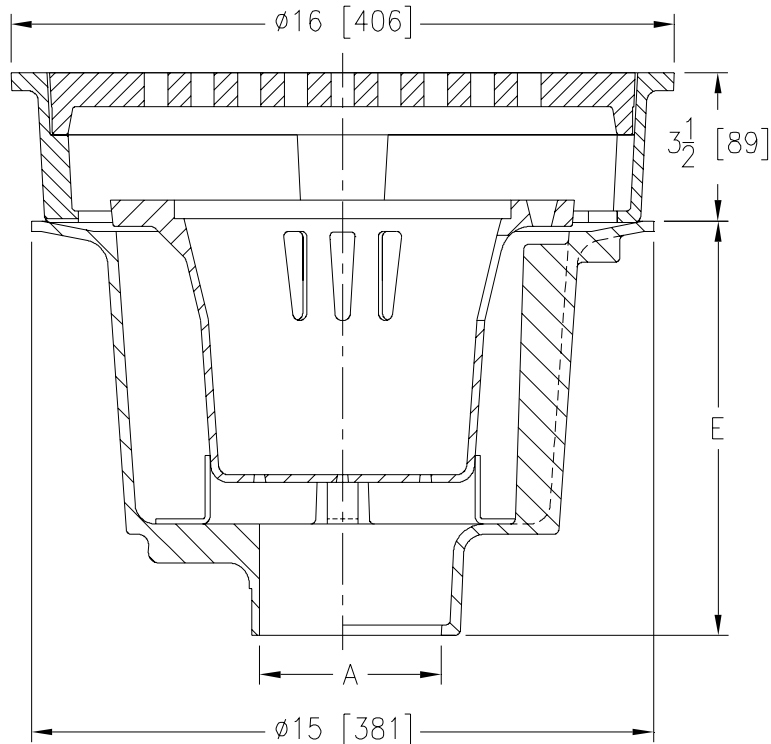
# Z539-87

SPECIFICATION SHEET

## 16 [406] HEAVY DUTY DRAIN WITH DEEP SUMP & FREE STANDING BUCKET

TAG \_\_\_\_\_

Dimensional Data (inches and [ mm ]) are Subject to Manufacturing Tolerances and Change Without Notice



A Pipe Size In.	Approx. Wt. Lbs. [kg]	Grate Open Area Sq. In. [cm <sup>2</sup> ]
3-4-5-6 [76-102-127-152]	73 [31]	33 [194]
8 [203]		

### ENGINEERING SPECIFICATION: ZURN Z539-87

16 [406] Diameter top drain. Dura-Coated cast iron deep sump body with bottom outlet, seepage pan and combination membrane flashing clamp and frame for free standing sediment bucket and heavy-duty cast iron slotted grate.

### OPTIONS (Check/specify appropriate options)

#### PIPE SIZE

- 3 thru 6 [76 thru 152]
- 3 thru 6 [76 thru 152]
- 3 thru 6, 8 [76 thru 152, 203]

#### (Specify size/type) OUTLET

- \_\_\_ IC Inside Caulk
- \_\_\_ IG Inside Caulk w/Sealtrol Gskt.
- \_\_\_ NH No-Hub

#### 'E' BODY HT. DIM.

- 10 [254]
- 10 [254]
- 10 [254]

#### PREFIXES

- \_\_\_ Z D.C.C.I. Body and Grate\*
- \_\_\_ ZB D.C.C.I. Body with Polished Bronze Grate (Add 3/16 [5] to 3 1/2 [89] Dim.)
- \_\_\_ ZN D.C.C.I. Body with Polished Nickel Bronze Grate (Add 3/16 [5] to 3 1/2 [89] Dim.)

#### SUFFIXES

- \_\_\_ -DG Duresist Grate
- \_\_\_ -G Galvanized Cast Iron
- \_\_\_ -VP Vandal-Proof Secured Top

REV. A	DATE: 7/20/07	C.N. NO. 96958
DWG. NO. P-14689		PRODUCT NO. Z539-87

\*REGULARLY FURNISHED UNLESS OTHERWISE SPECIFIED